

ENJOY THE RIDE

RIDE HARD AND GO OUT

CATÁLOGO/  
CATALOGUE




 EUROPEAN UNION  
 EUROPEAN REGIONAL  
 DEVELOPMENT FUND  
 A WAY TO MAKE EUROPE


 ADEFAN  
 WWW.ADEFAN.ES  
 EMPRESA  
 ASOCIADA



**CONOR SPORTS S.A.**  
 Polígono Industrial Egüés, naves 4, 6 y 8.  
 31486 Egüés (Navarra), España.  
 Tel. +34 948 331 703  
 info@conor.bikes.com  
 www.conorbikes.com









---

**CRUSH**

---

**E-MTB**

---

○ **29"**

**CONOR**  
**WRE**  
WORLD RACE CONOR

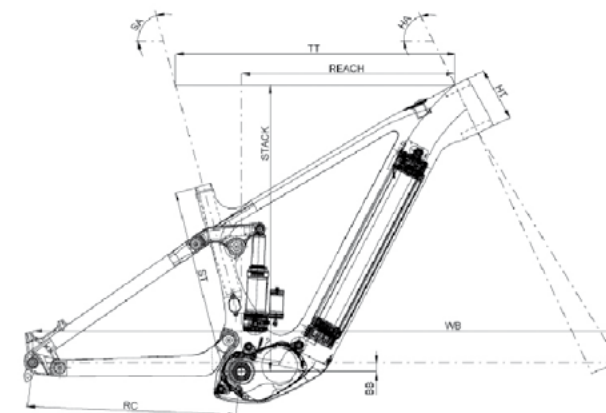


COLOR

**CRUSH**

<b>CODE</b>	.320403
<b>FRAME</b>	29" Carbon UD Toray 30T/T800, WRC Crush, Boost 12X148mm, Tr.150mm
<b>FORK</b>	Rock Shox Lyrik select charger RC 29" Boost 15X110mm Tr.150mm
<b>SHOCK</b>	Rock Shox Deluxe Select RL 205x60 DB3 ML
<b>SHIFTERS</b>	Shimano SLX M7100-R 12s
<b>BRAKES</b>	Shimano disc XT BL-M8100 / BR-M8120
<b>REAR DERAILLEUR</b>	Shimano XT M8100 12s
<b>CASSETTE</b>	Shimano M7100 12s 10/51T
<b>CHAIN</b>	Shimano M7100 SLX 12s
<b>CRANKSET</b>	Shimano CRE80-12 165mm 34T
<b>BATTERY</b>	Darfon E4C0G 720Wh (36v 20Ah)
<b>CHARGER</b>	Darfon E4C0G
<b>MOTOR</b>	Shimano DU-EP8 85Nm, 36v*250W
<b>DISPLAY</b>	Shimano SC-EM800
<b>ASSIST SWITCH</b>	Shimano SW-EM800
<b>TYRES</b>	29"x2,30 Continental Cross King
<b>SADDLE</b>	Selle San Marco GND Dynamic
<b>SEAT POST</b>	Telescopic Alloy 31,6x412mm Tr.125mm
<b>HANDLEBAR</b>	WRC Carbon cockpit
<b>STEM</b>	WRC Carbon cockpit
<b>HEADSET</b>	A-head Integrated
<b>WHEELS</b>	MAVIC E-Deemax R 30 29" CL tubeless 35mm, Boost 15x110
<b>SIZES</b>	XS, SM, MD, LA

**ESPECIFICACIONES**



	XS	SM	MD	LA
<b>ST (mm)</b>	380	410	440	470
<b>TT (mm)</b>	577	605	630	655
<b>HT (mm)</b>	105	115	125	135
<b>RC (mm)</b>	450	450	450	450
<b>BB (mm)</b>	20	20	20	20
<b>WB (mm)</b>	1222	1252	1279	1305
<b>REACH (mm)</b>	435	460	483	505
<b>STACK (mm)</b>	610	619	628	637
<b>Ha (°)</b>	64.5°	64.5°	64.5°	64.5°
<b>Sa (°)</b>	76.9°	76.8°	76.8°	76.8°



---

# GALE

---

# E-MTB

---

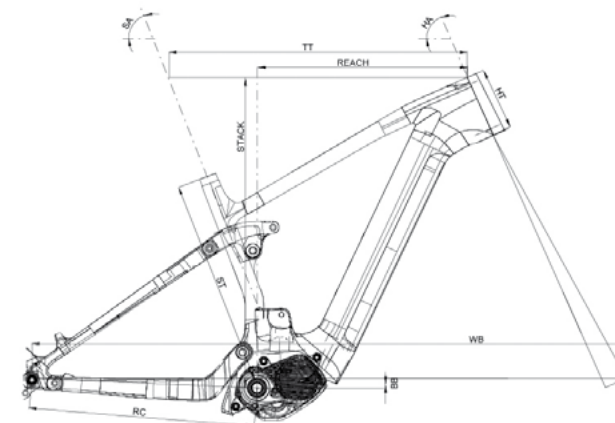
○ 29"



COLOR



<b>CODE</b>	.320411
<b>FRAME</b>	29" Carbono UD Toray 30T/T800 WRC GALE, Boost 12x148mm, Tr.150mm
<b>FORK</b>	Rock Shox Revelation 150mm RC Boost 15x110mm
<b>SHOCK</b>	Rock Shox Deluxe Select RL 205x60 DB3 ML
<b>SHIFTERS</b>	Shimano Deore M6100 12s
<b>BRAKES</b>	Shimano disc SLX BL-M7120
<b>REAR DERAILLEUR</b>	Shimano XT M8100 12s
<b>CASSETTE</b>	Shimano Deore M6100 12s 10/51T
<b>CHAIN</b>	Shimano M7100 SLX 12s
<b>CRANKSET</b>	Shimano CRE80-12 165mm 34T
<b>BATTERY</b>	Darfon E4C0G 720Wh (36v 20Ah)
<b>CHARGER</b>	Darfon E4C0G
<b>MOTOR</b>	Shimano DU-EP8 85Nm, 36v*250W
<b>DISPLAY</b>	Shimano SC-EM800
<b>ASSIST SWITCH</b>	Shimano SW-EM800
<b>TYRES</b>	29"x2,30 Continental Cross King
<b>SADDLE</b>	Selle San Marco GND Dynamic
<b>SEAT POST</b>	Telescopic seat post 31,6mm L:412mm Tr.125mm, remote control
<b>HANDLEBAR</b>	WRC Carbon 31,8mm
<b>STEM</b>	WRC Carbon 31,8mm
<b>HEADSET</b>	A-head Integrated GALE
<b>WHEELS</b>	MAVIC E-Deemax R 30 29" CL tubeless 35mm, Boost 15x110
<b>SIZES</b>	SM, MD, LA, XL



	SM	MD	LA	XL
<b>ST (mm)</b>	410	440	470	500
<b>TT (mm)</b>	570	600	630	660
<b>HT (mm)</b>	120	120	125	125
<b>RC (mm)</b>	465	465	465	465
<b>BB (mm)</b>	20	20	20	20
<b>WB (mm)</b>	1230	1255	1288	1318
<b>REACH (mm)</b>	415	440	470	450
<b>STACK (mm)</b>	645	645	650	650
<b>Ha (°)</b>	64°	64°	64°	64°
<b>Sa (°)</b>	76.5°	76.3°	76.1°	75.9°



---

**FROST**

---

**E-MTB**

---

○ **29"**

MODEL 1/2



COLOR



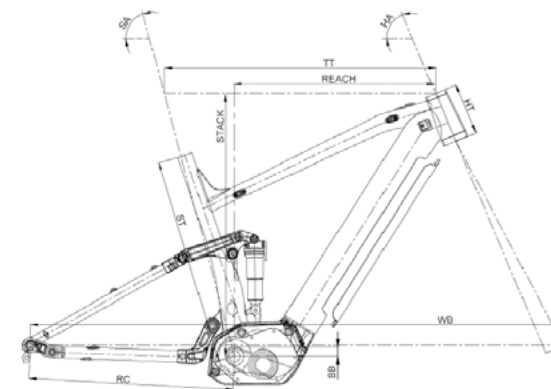


**XT 12s**

<b>CODE</b>	.220406 / .320406
<b>FRAME</b>	29" Alloy 6061, Integrated Battery, 12x148mm, Tr.120mm
<b>FORK</b>	Rock Shox 35 Silver TK Air, Tr.140mm, 15x110mm
<b>SHOCK</b>	Rock Shox Sid Luxe RL 165x37.5mm
<b>SHIFTERS</b>	Shimano Deore M6100-R 12s
<b>BRAKES</b>	Shimano disc BL-MT401/BR-MT420 4 pistons
<b>REAR DERAILLEUR</b>	Shimano XT M8100 12s
<b>CASSETTE</b>	Shimano Deore M6100 12s 10/51T
<b>CHAIN</b>	Shimano Deore M6100 12s
<b>CRANKSET</b>	Shimano CRE70-12 36T, 165mm
<b>BATTERY</b>	Shimano BT-E8036 630Wh (36v 17,4Ah)
<b>CHARGER</b>	Shimano E6002
<b>MOTOR</b>	Shimano DU-EP800 85Nm, 250W
<b>DISPLAY</b>	Shimano SC-EM800
<b>ASSIST SWITCH</b>	Shimano SW-EM800
<b>TYRES</b>	29x2.30 Continental Cross King
<b>SADDLE</b>	Selle Royal Lift
<b>SEAT POST</b>	Dropper Alloy 30,9X435mm Tr.150mm
<b>HANDLEBAR</b>	WRC Alloy 780x35mm
<b>STEM</b>	WRC Alloy Ext.45mm, 35mm
<b>HEADSET</b>	FSA Tapered
<b>FRONT HUB</b>	Shimano MT400BB 32h, 15x110mm
<b>REAR HUB</b>	Shimano MT410BB 32h, 12x148mm
<b>RIM</b>	Alloy double wall
<b>SIZES</b>	SM, MD, LA, XL

**XT 12s INTERNAL**

<b>CODE</b>	.220416 / .320416
<b>FRAME</b>	29" Alloy 6061, Integrated Battery, 12x148mm, Tr.120mm
<b>FORK</b>	Rock Shox Revelation Air Tr.140mm 15x110mm
<b>SHOCK</b>	Rock Shox Monarch RT 165X38mm SoloAir
<b>SHIFTERS</b>	Shimano Deore M6100-R 12s
<b>BRAKES</b>	Shimano disc BL-MT401/BR-MT420 4 pistons
<b>REAR DERAILLEUR</b>	Shimano XT M8100 12s
<b>CASSETTE</b>	Shimano Deore M6100 12s 10/51T
<b>CHAIN</b>	Shimano Deore M6100 12s
<b>CRANKSET</b>	Shimano CRE70-12 36T, 165mm
<b>BATTERY</b>	Shimano BT-E8036 630Wh (36v 17,4Ah)
<b>CHARGER</b>	Shimano E6002
<b>MOTOR</b>	Shimano DU-EP800 85Nm, 250W
<b>DISPLAY</b>	Shimano SC-EM800
<b>ASSIST SWITCH</b>	Shimano SW-EM800
<b>TYRES</b>	29X2.30 Continental Cross King
<b>SADDLE</b>	Selle Royal Lift
<b>SEAT POST</b>	Dropper Alloy 30,9X435mm Tr.150mm
<b>HANDLEBAR</b>	WRC Alloy 780x31.8mm
<b>STEM</b>	Alloy JD-ST230Al Ext.60mm, 31.8mm
<b>HEADSET</b>	FSA 1.5 internal routing
<b>FRONT HUB</b>	Shimano MT400BB 32h, 15x110mm
<b>REAR HUB</b>	Shimano MT410BB 32h, 12x148mm
<b>RIM</b>	Alloy double wall
<b>SIZES</b>	SM, MD, LA, XL



	SM	MD	LA	XL
<b>ST (mm)</b>	400	440	480	520
<b>TT (mm)</b>	630	630	630	635
<b>HT (mm)</b>	120	120	120	120
<b>RC (mm)</b>	475	475	475	475
<b>BB (mm)</b>	25	25	25	25
<b>WB (mm)</b>	1237	1237	1237	1242
<b>REACH (mm)</b>	466	466	466	471
<b>STACK (mm)</b>	610	610	610	610
<b>Ha (°)</b>	67°	67°	67°	67°
<b>Sa (°)</b>	75°	75°	75°	75°



---

# FROST

---

# E-MTB

---

○ 29"

MODEL 2/2



COLOR



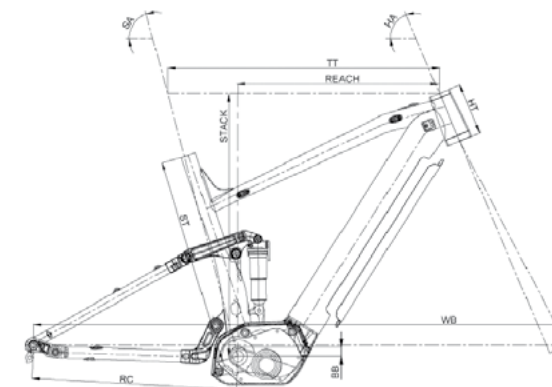


## SLX 12S M7000

FROST

<b>CODE</b>	.220405 / .320405
<b>FRAME</b>	29" Alloy 6061, Integrated Battery, 12x148mm, Tr.120mm
<b>FORK</b>	Rock Shox 35 Silver TK Air, Tr.140mm, 15x110mm
<b>SHOCK</b>	Rock shox Monarch RT 165x38mm SoloAir
<b>SHIFTERS</b>	Shimano Deore M6100-R 12s
<b>BRAKES</b>	Shimano disc BL-MT401/BR-MT420 4 pistons
<b>REAR DERAILLEUR</b>	Shimano SLX M7100 12s
<b>CASSETTE</b>	Shimano Deore M6100 12s 10/51T
<b>CHAIN</b>	Shimano Deore M6100 12s
<b>CRANKSET</b>	Shimano CRE70-12 36T, 165mm
<b>BATTERY</b>	Shimano BT-E8036 630Wh (36v 17,4Ah)
<b>CHARGER</b>	Shimano E6002
<b>MOTOR</b>	Shimano DU-E7000 60Nm, 250W
<b>DISPLAY</b>	Shimano SC-E7000
<b>ASSIST SWITCH</b>	Shimano SW100
<b>TYRES</b>	29"x2.30 Continental Cross King
<b>SADDLE</b>	Selle Royal Lift
<b>SEAT POST</b>	Dropper Alloy 30,9X435mm Tr.150mm
<b>HANDLEBAR</b>	WRC Alloy 780x35mm
<b>STEM</b>	WRC Alloy Ext.45mm, 35mm
<b>HEADSET</b>	FSA Tapered
<b>FRONT HUB</b>	Shimano MT400BB 32h, 15x110mm
<b>REAR HUB</b>	Shimano MT410BB 32h, 12x148mm
<b>RIM</b>	Alloy double wall
<b>SIZES</b>	SM, MD, LA, X

ESPECIFICACIONES



	SM	MD	LA	XL
<b>ST (mm)</b>	400	440	480	520
<b>TT (mm)</b>	630	630	630	635
<b>HT (mm)</b>	120	120	120	120
<b>RC (mm)</b>	475	475	475	475
<b>BB (mm)</b>	25	25	25	25
<b>WB (mm)</b>	1237	1237	1237	1242
<b>REACH (mm)</b>	466	466	466	471
<b>STACK (mm)</b>	610	610	610	610
<b>Ha (°)</b>	67°	67°	67°	67°
<b>Sa (°)</b>	75°	75°	75°	75°



---

**SHIFT**

---

**E-MTB**

---

○ **29"**

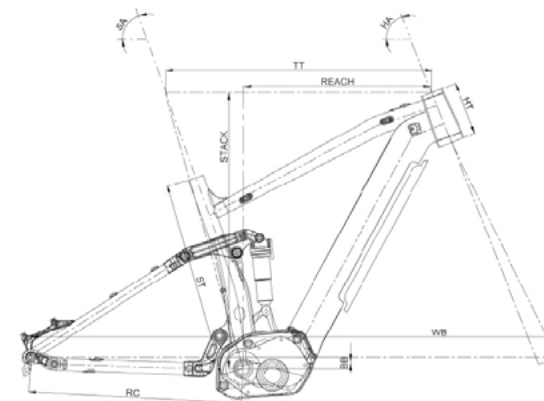
**CONOR**  
**WRC**  
WORLD RACE CONOR



COLOR



<b>CODE</b>	.220404 / .320404
<b>FRAME</b>	29" Alloy 6061, Integrated Battery, 12x148mm, Tr.120mm
<b>FORK</b>	Rock Shox Recon Silver RL Air Tr.120mm, 15x110mm
<b>SHOCK</b>	Rock Shox Monarch RT 165x38mm SoloAir
<b>SHIFTERS</b>	Shimano Deore M6100-R 12s
<b>BRAKES</b>	Shimano disc BL-MT401/BR-MT420 4 pistons
<b>REAR DERAILLEUR</b>	Shimano Deore M6100 12s
<b>CASSETTE</b>	Shimano Deore M6100 12s 10/51T
<b>CHAIN</b>	Shimano Deore M-6100 12s
<b>CRANKSET</b>	Shimano CRE70-12 36T, 165mm
<b>BATTERY</b>	Shimano BT-E8035 504Wh (36v 14Ah)
<b>CHARGER</b>	Shimano E6002
<b>MOTOR</b>	Shimano DU-E7000 60Nm, 250W
<b>DISPLAY</b>	Shimano SC-E7000
<b>ASSIST SWITCH</b>	Shimano SW-E7000
<b>TYRES</b>	29"x2,30 Continental Cross King
<b>SADDLE</b>	Selle Royal Lift
<b>SEAT POST</b>	Dropper Alloy 30,9x435mm Tr.150mm
<b>HANDLEBAR</b>	WRC Alloy 780x35mm
<b>STEM</b>	WRC Alloy Ext.45mm, 35mm
<b>HEADSET</b>	FSA Tapered
<b>FRONT HUB</b>	Shimano MT400BB, 32h 15X110mm
<b>REAR HUB</b>	Shimano MT410BB 32h, 12X148mm
<b>RIM</b>	Alloy double wall
<b>SIZES</b>	SM, MD, LA, XL



	SM	MD	LA	XL
<b>ST (mm)</b>	400	440	480	520
<b>TT (mm)</b>	582	597	612	637
<b>HT (mm)</b>	120	120	120	120
<b>RC (mm)</b>	475	475	475	475
<b>BB (mm)</b>	25	25	25	25
<b>WB (mm)</b>	1163	1178	1193	1218
<b>REACH (mm)</b>	407	423	438	463
<b>STACK (mm)</b>	617	617	617	617
<b>Ha (°)</b>	68,5°	68,5°	68,5°	68,5°
<b>Sa (°)</b>	74,2°	74,2°	74,2°	74,2°



---

# SHAKE

---

# E-MTB

---

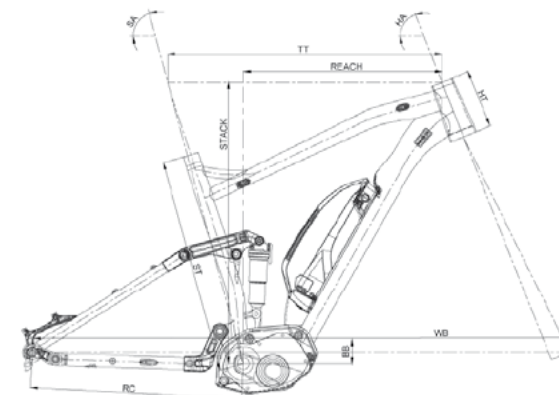
○ 29"

**CONOR**  
**WRC**  
WORLD RACE CONOR

COLOR



<b>CODE</b>	.220410
<b>FRAME</b>	29" Alloy 6061, 1.1/8"-1.5", semi-Integrated battery, 12x142mm, Tr: 120mm
<b>FORK</b>	RST Vive Air RL Tr:130mm 1.1/8"-1.5" 15x110mm
<b>SHOCK</b>	Suntour Raidon LO 165X38mm
<b>SHIFTERS</b>	Shimano Deore M5100-R 11s
<b>BRAKES</b>	Shimano disc BL-MT401/BR-MT420 4 pistons
<b>REAR DERAILLEUR</b>	Shimano Deore M5100 11s
<b>CASSETTE</b>	Shimano Deore M5100 11s, 11/51T
<b>CHAIN</b>	KMC e11 11s
<b>CRANKSET</b>	Shimano CRE80 34T, 170mm
<b>BATTERY</b>	Shimano BT-E8016 630Wh (36v 17,5 Ah)
<b>CHARGER</b>	Shimano E6002
<b>MOTOR</b>	Shimano DU-E7000 60Nm, 250W
<b>DISPLAY</b>	Shimano SC-E7000
<b>ASSIST SWITCH</b>	Shimano SW-E7000
<b>TYRES</b>	29"x2,30 Continental Cross King
<b>SADDLE</b>	Selle Royal Lift
<b>SEAT POST</b>	WRC Alloy 31,6x300mm
<b>HANDLEBAR</b>	WRC Alloy 720x31,8mm
<b>STEM</b>	WRC Alloy 31,8mm
<b>HEADSET</b>	FSA Tapered
<b>FRONT HUB</b>	Shimano MT400BB, 32h 15X110mm
<b>REAR HUB</b>	Shimano MT400B 32h, 12X142mm
<b>RIM</b>	Alloy double wall
<b>SIZES</b>	SM, MD, LA, XL



	SM	MD	LA	XL
<b>ST (mm)</b>	400	440	480	520
<b>TT (mm)</b>	580	595	610	635
<b>HT (mm)</b>	110	120	130	140
<b>RC (mm)</b>	470	470	470	470
<b>BB (mm)</b>	25	25	25	25
<b>WB (mm)</b>	1163	1179	1198	1196
<b>REACH (mm)</b>	417	430	442	465
<b>STACK (mm)</b>	608	617	626	636
<b>Ha (°)</b>	68,5°	68,5°	68,5°	68,5°
<b>Sa (°)</b>	75°	75°	75°	75°



---

**BORA 11S**

---

**E-MTB VINKA**

---

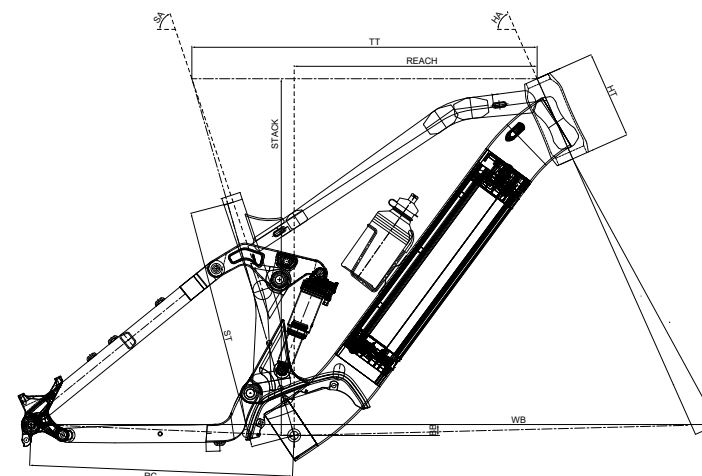
○ **29"**

**CONOR**  
**WRC**  
WORLD RACE CONOR

COLOR



<b>CODE</b>	.420488
<b>FRAME</b>	29" alloy 6061, Integrated battery 12x148mm, Tr.120mm
<b>FORK</b>	Suntour X1 Air RL DS boost 15X110mm, Tr.120mm
<b>REAR SHOCX</b>	Suntour Raidon LO, Tr.120mm
<b>SHIFTERS</b>	Shimano Deore M5100 11s
<b>BRAKES</b>	Shimano disc MT200
<b>REAR DERAILLEUR</b>	Shimano Deore M5100 11s
<b>CASSETTE</b>	SUGEK M9011 11-46T
<b>CHAIN</b>	E-Bike 1/2" x 11/128 E11 KMC
<b>CRANKSET</b>	Alloy 170mm 34T
<b>DISPLAY</b>	Vinka LCD DC31 W/Bluetooth
<b>BATTERY</b>	PHYLION 720WH 36V/20AH
<b>CHARGER</b>	SANSHI 36V/2A
<b>MOTOR</b>	CONOR/MINKA E30 36V*250W*85Nm
<b>TYRES</b>	29"x2, 40 CST C1846
<b>SADDLE</b>	VD1162E
<b>SEAT POST</b>	Alloy SP C207 30.9X350mm
<b>HANDLEBAR</b>	Alloy 31,8mm
<b>STEM</b>	Alloy 28.6mm, Ext.75mm, 31.8mm
<b>HEADSET</b>	A-head 1 - 1/8"
<b>FRONT HUB</b>	Alloy Novatec D041 36h 15X110mm
<b>REAR HUB</b>	Alloy Novatec D952 36h 12x148mm
<b>RIM</b>	Alloy double rim
<b>SIZES</b>	SM, MD, LA



	SM	MD	LA
<b>ST (mm)</b>	406	440	480
<b>TT (mm)</b>	610	615	625
<b>HT (mm)</b>	160	160	160
<b>RC (mm)</b>	530	530	530
<b>BB (mm)</b>	30	30	30
<b>WB (mm)</b>	1251,9	1251,9	1251,9
<b>REACH (mm)</b>	422	427	437
<b>STACK (mm)</b>	670,8	670,8	670,8
<b>Ha (°)</b>	69°	69°	69°
<b>Sa (°)</b>	71,28°	71,28°	71,28°



---

**MANILA**

---

**E-SUV**

---

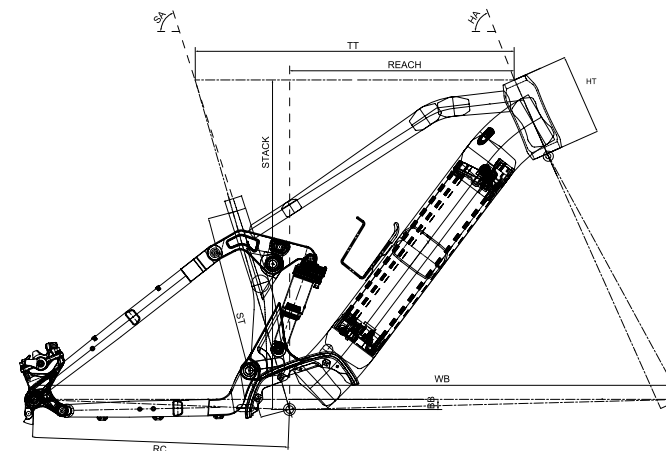
○ **29"**

**CONOR**  
**WRC**  
WORLD RACE CONOR

COLOR



<b>CODE</b>	.420486
<b>FRAME</b>	29 Alloy 6061,integrated battery 12x148mm, Tr.120mm
<b>FORK</b>	Suntour X1 Air RL DS boost 15X110mm, Tr.120mm
<b>REAR SHOCX</b>	588RL, Tr.120mm
<b>SHIFTERS</b>	Shimano M6000 10s
<b>BRAKES</b>	Shimano disc MT200
<b>REAR DERAILLEUR</b>	Shimano Deore M6000 10s
<b>CASSETTE</b>	Sunrace CSMS2 11-42T 10s
<b>CHAIN</b>	E-Bike 2 1/2"x11/128" S10e
<b>CRANKSET</b>	Alloy 170mm 38T w/chaincover
<b>DISPLAY</b>	Vinka LCD DC22
<b>BATTERY</b>	PHYLION 720WH 36V/20AH
<b>CHARGER</b>	SANSHI 36V/2A
<b>MOTOR</b>	CONOR/MINKA E20 36v*250W*80Nm
<b>TYRES</b>	29"x2,25 CST C1846
<b>SADDLE</b>	VD-1169-02
<b>SEAT POST</b>	Alloy SP C207 30.4/30.9x350mm
<b>HANDLEBAR</b>	Alloy 31,8mm
<b>STEM</b>	Alloy, 28.6mm, Ext.75mm, 31.8mm
<b>HEADSET</b>	A-head 1 - 1/8"
<b>FRONT HUB</b>	Alloy Novatec D041 36h 15X110mm
<b>REAR HUB</b>	Alloy Novatec D952 36h 12x142mm
<b>RIM</b>	Alloy Double rim
<b>SIZES</b>	SM, MD, LA



	SM	MD	LA
<b>ST (mm)</b>	406	445	480
<b>TT (mm)</b>	610	615	625
<b>HT (mm)</b>	160	160	160
<b>RC (mm)</b>	530	530	530
<b>BB (mm)</b>	30	30	30
<b>WB (mm)</b>	1277	1277	1277
<b>REACH (mm)</b>	422	427	437
<b>STACK (mm)</b>	670,8	670,8	670,8
<b>Ha (°)</b>	69°	69°	69°
<b>Sa (°)</b>	71,28°	71,28°	71,28°



---

**ADRA**

---

**E-MTB**

---

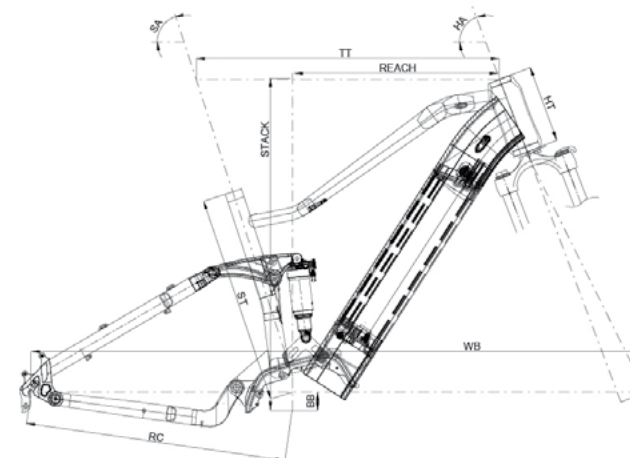
○ **29"**

**CONOR**  
**WRC**  
WORLD RACE CONOR



COLOR

<b>CODE</b>	.320524
<b>FRAME</b>	29" Alloy 6061 , Integrated Battery
<b>FORK</b>	Suntour XCM32 Boost 120mm RLO
<b>SHOCK</b>	EXA A5-RE Shock Air Spring 165mm Air
<b>SHIFTERS</b>	Shimano M2010 9s -Optic Display / Shimano M3000 9s -Optic Display
<b>BRAKES</b>	Hydraulic disc Clarks E-Clout
<b>REAR DERAILLEUR</b>	Shimano Acera 370 9s
<b>CASSETTE</b>	Shimano Acera HG-200 11-34T 9s
<b>CHAIN</b>	E-BIKE 2 1/2"x11/128" E9 KMC
<b>CRANKSET</b>	Alloy 170mm 38T
<b>BATTERY</b>	PHYLION 540WH 36V/15AH
<b>CHARGER</b>	PHYLION 36V/2A
<b>MOTOR</b>	CONOR middle driver motor 250W, 80Nm, 3/32 x 38T
<b>DISPLAY</b>	Display Vinka LCD DC21 Black W/Switch Control
<b>TYRES</b>	29"x2,35 CST C1820
<b>SADDLE</b>	VD1114F-01
<b>SEAT POST</b>	Alloy SP-C207 30,4x350mm
<b>HANDLEBAR</b>	Alloy 31,8mm
<b>STEM</b>	TDS-C301-8FOV 31.8mm
<b>HEADSET</b>	A-head Integrated 1 1/8"
<b>FRONT HUB</b>	Alloy JY-D761DSE
<b>REAR HUB</b>	Alloy JY-D762TSE
<b>RIM</b>	Alloy double wall
<b>SIZES</b>	SM, MD, LA



	SM	MD	LA
<b>ST (mm)</b>	400	440	480
<b>TT (mm)</b>	615	623	634,1
<b>HT (mm)</b>	160	160	160
<b>RC (mm)</b>	530	530	530
<b>BB (mm)</b>	30	30	30
<b>WB (mm)</b>	1249,4	1257,4	1268,5
<b>REACH (mm)</b>	426,1	434,1	445,2
<b>STACK (mm)</b>	673,5	673,5	673,5
<b>Ha (°)</b>	69°	69°	69°
<b>Sa (°)</b>	71°	71°	71°



---

# ADRA

---

# E-MTB VINKA

---

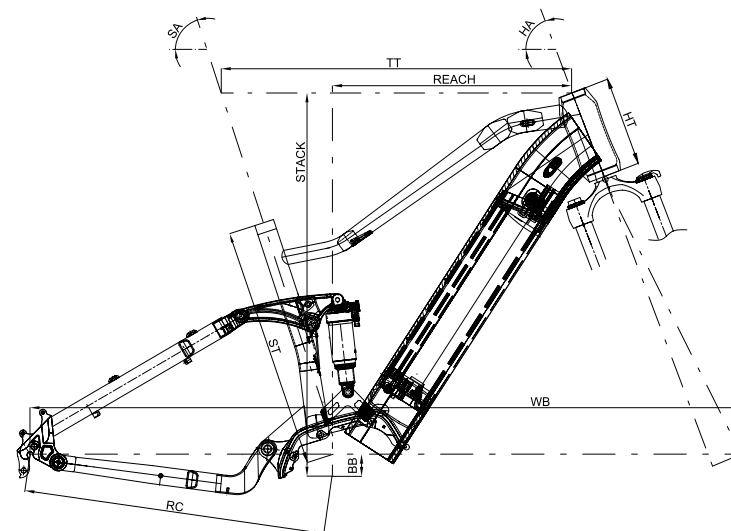
○ 29"

**CONOR**  
**WRC**  
WORLD RACE CONOR

COLOR



<b>CODE</b>	.420524
<b>FRAME</b>	29" Alloy 6061, Integrated battery 9x141mm, travel 110mm
<b>FORK</b>	Suntour XCM32 NLO Boost 15x110mm Tr.120
<b>SHIFTERS</b>	Shimano M3000 9s
<b>REAR SHOCX</b>	588RL Tr.110mm
<b>BRAKES</b>	Shimano disc MT200
<b>REAR DERAILLEUR</b>	Shimano M3100 SGS 9s
<b>CASSETTE</b>	Shimano HG200 9s 11/34T
<b>CHAIN</b>	E-bike 2 1/2" x 11/128" S9e
<b>CRANKSET</b>	Alloy 170mm 34T
<b>DISPLAY</b>	Vinka LCD DC22
<b>BATTERY</b>	PHYLION 720WH 36V/20AH
<b>CHARGER</b>	SANSHI 36V/2A
<b>MOTOR</b>	CONOR/VINKA E20 36v*250W*80Nm
<b>TYRES</b>	29"x2, 40 CST C1846
<b>SADDLE</b>	VD1162E
<b>SEAT POST</b>	Alloy SP-C207 30.9x350mm
<b>HANDLEBAR</b>	Alloy 31,8mm
<b>STEM</b>	Alloy, 28.6mm, Ext.75mm, 31.8mm
<b>HEADSET</b>	A-head 1 - 1/8"
<b>FRONT HUB</b>	Alloy Novatec D041 36h 15x110mm
<b>REAR HUB</b>	Alloy Novatec D762 36h 9x141mm
<b>RIM</b>	Alloy double rim
<b>SIZES</b>	SM, MD, LA



	SM	MD	LA
<b>ST (mm)</b>	406	440	480
<b>TT (mm)</b>	600	615	625
<b>HT (mm)</b>	160	160	160
<b>RC (mm)</b>	530	530	530
<b>BB (mm)</b>	30	30	30
<b>WB (mm)</b>	1236	1252,5	1262,5
<b>REACH (mm)</b>	411	427	437
<b>STACK (mm)</b>	673,5	670,8	670,8
<b>Ha (°)</b>	69°	69°	69°
<b>Sa (°)</b>	72°	72°	72°

---

# ARUBA 11S

---

## E-MTB VINKA

---

**CONOR**  
**WRC**  
WORLD RACE CONOR

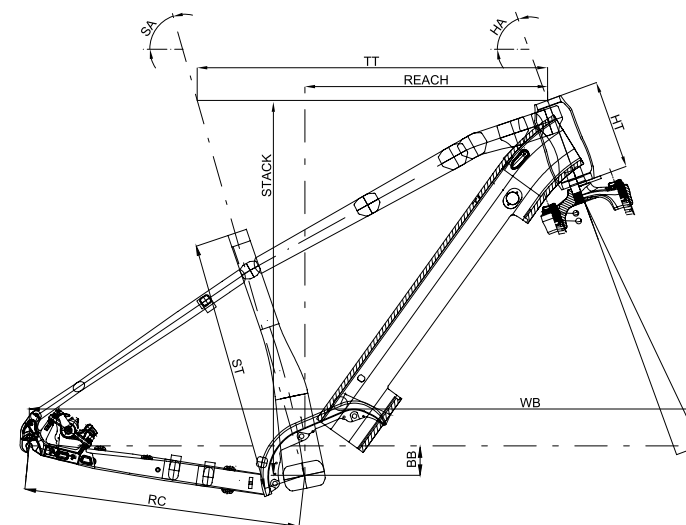
○ 29"

COLOR





<b>CODE</b>	.420481
<b>FRAME</b>	29" Alloy 6061, Integrated battery, 12x142mm
<b>FORK</b>	Suntour SF23 X1 RL, Boost 15X110mm, Tr.120mm
<b>SHIFTERS</b>	Shimano M5100 11s
<b>BRAKES</b>	Shimano disc MT200
<b>REAR DERAILLEUR</b>	Shimano Deore M5100 11s
<b>CASSETTE</b>	SUGEK M9011 11-46T
<b>CHAIN</b>	E-Bike 1/2" x 11/128 E11 KMC
<b>CRANKSET</b>	Alloy 170mm 34T
<b>DISPLAY</b>	Vinka LCD DC31 W/Bluetooth
<b>BATTERY</b>	PHYLION 720WH 36v/20Ah
<b>CHARGER</b>	SANSHI 36V/2A
<b>MOTOR</b>	CONOR/MINKA E30 36v*250W*85Nm
<b>TYRES</b>	29"x2,40 CST C1846
<b>SADDLE</b>	VD1162E
<b>SEAT POST</b>	Alloy SP-C208 30,4/30.9x350mm
<b>HANDLEBAR</b>	Alloy 31,8mm
<b>STEM</b>	Alloy, 28.6mm, Ext.75mm, 31.8mm
<b>HEADSET</b>	Ahead 1 - 1/8"
<b>FRONT HUB</b>	Alloy Novatec D041 36h 15X110mm
<b>REAR HUB</b>	Alloy Novatec D982 36h 12X142mm
<b>RIM</b>	Alloy 29" Double rim
<b>SIZES</b>	MD, LA, XL



	MD	LA	XL
<b>ST (mm)</b>	432	483	533
<b>TT (mm)</b>	630	630	630
<b>HT (mm)</b>	160	160	160
<b>RC (mm)</b>	510	510	510
<b>BB (mm)</b>	50	50	50
<b>WB (mm)</b>	1207,39	1207,39	1207,39
<b>REACH (mm)</b>	423,89	423,89	423,89
<b>STACK (mm)</b>	674,15	674,15	674,15
<b>Ha (°)</b>	70°	70°	70°
<b>Sa (°)</b>	73°	73°	73°

---

# BORNEO

---

## E-MTB

---

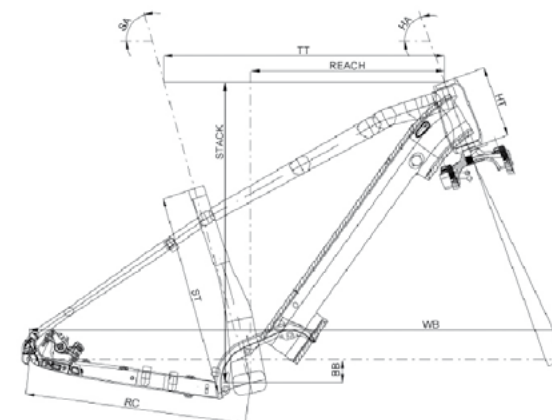
○ 29"

**CONOR**  
**WRC**  
WORLD RACE CONOR



COLOR

<b>CODE</b>	.320480
<b>FRAME</b>	29" Alloy 6061 , Integrated Battery
<b>FORK</b>	Suntour XCM RL , TR: 100mm
<b>SHIFTERS</b>	Shimano Deore M5100 11s
<b>BRAKES</b>	Shimano disc MT200 / Clarks disc E-Clout
<b>REAR DERAILLEUR</b>	Shimano Deore M5100 11s
<b>CASSETTE</b>	Shimano M5100 11s 11/42T / Sugek M9011 13-42T
<b>CHAIN</b>	E-BIKE 1/2"x 11/128 E11 KMC
<b>CRANKSET</b>	Alloy 170mm 38T
<b>BATTERY</b>	PHYLION 540WH 36V/15AH
<b>CHARGER</b>	PHYLION 36V/2A
<b>MOTOR</b>	CONOR middle driver motor 250W, 80Nm, 3/32 x 38T
<b>DISPLAY</b>	Display Vinka LCD DS20 Black
<b>TYRES</b>	29"x2,25 CST C1846
<b>SADDLE</b>	Conor Borneo Confort
<b>SEAT POST</b>	Alloy 30,4x350mm
<b>HANDLEBAR</b>	Alloy 31,8mm
<b>STEM</b>	TDS-C301-8FOV/ISO-M 31,8mm
<b>HEADSET</b>	A-head Integrated 1 1/8"
<b>FRONT HUB</b>	Alloy JY-D761DSE
<b>REAR HUB</b>	Alloy JY-D762TSE
<b>RIM</b>	Alloy double wall
<b>SIZES</b>	MD, LA, XL
<b>OPTION BAT</b>	PHYLION 720WH 36V/20AH



	MD	LA	XL
<b>ST (mm)</b>	432	483	533
<b>TT (mm)</b>	630	630	630
<b>HT (mm)</b>	160	160	160
<b>RC (mm)</b>	510	510	510
<b>BB (mm)</b>	50	50	50
<b>WB (mm)</b>	1207,39	1207,39	1207,39
<b>REACH (mm)</b>	424,76	424,76	424,5
<b>STACK (mm)</b>	671,32	671,32	671,32
<b>Ha (°)</b>	70°	70°	70°
<b>Sa (°)</b>	73°73°	73°	73°



---

**BORNEO**

---

**E-MTB VINKA**

---

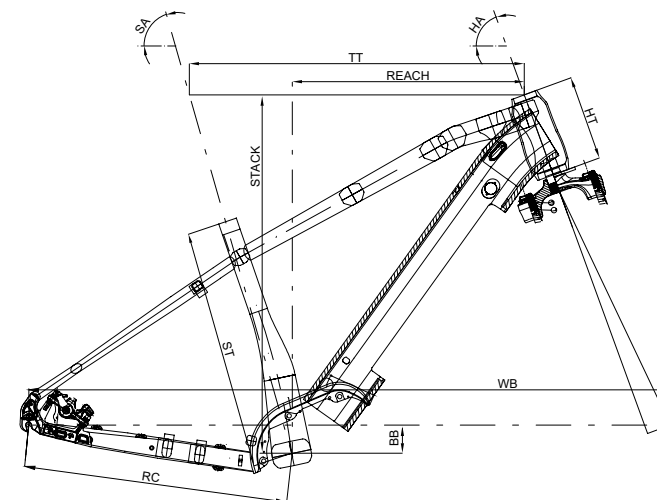
○ **29"**

**CONOR**  
**WRC**  
WORLD RACE CONOR

COLOR



<b>CODE</b>	.420480
<b>FRAME</b>	29" Alloy 6061, Integrated battery
<b>FORK</b>	Suntour SF15-XCM RLO DS 29 TR: 100mm
<b>SHIFTERS</b>	Shimano M6000 GS 10s
<b>BRAKES</b>	Shimano disc MT200
<b>REAR DERAILLEUR</b>	Shimano M6000 GS 10s
<b>CASSETTE</b>	Sunrace CSMS2 11-42T 10s
<b>CHAIN</b>	E-bike 1/2" X 11/128 S10e
<b>CRANKSET</b>	Alloy 170mm 34T
<b>DISPLAY</b>	Vinka LCD DC22
<b>BATTERY</b>	PHYLION 540WH 36V/15AH
<b>CHARGER</b>	SANSHI 36V/2A
<b>MOTOR</b>	CONOR/MINKA C20 36V*250W*80Nm
<b>TYRES</b>	29"x2,40 CST 1846
<b>SADDLE</b>	VD1162E
<b>SEAT POST</b>	Alloy SP-C208 30,4/30,9x350mm
<b>HANDLEBAR</b>	Alloy 31,8mm
<b>STEM</b>	Alloy, 28.6mm, Ext.75mm, 31.8mm
<b>HEADSET</b>	Ahead 1 - 1/8"
<b>FRONT HUB</b>	Alloy Novatec D761 36h 9x100mm
<b>REAR HUB</b>	Alloy Novatec D762 36h 9X135mm
<b>RIM</b>	Alloy 29" Double rim
<b>SIZES</b>	SM, MD, LA
<b>OPTION BAT</b>	PHYLION 720WH 36V/20AH



	SM	MD	LA
<b>ST (mm)</b>	380	432	483
<b>TT (mm)</b>	600	630	630
<b>HT (mm)</b>	160	160	160
<b>RC (mm)</b>	510	510	510
<b>BB (mm)</b>	50	50	50
<b>WB (mm)</b>	1177,56	1207,39	1207,39
<b>REACH (mm)</b>	393,89	424,76	424,76
<b>STACK (mm)</b>	674,15	671,32	671,32
<b>Ha (°)</b>	70°	70°	70°
<b>Sa (°)</b>	73°	73°	73°

---

# JAVA

---

# E-MTB

---

○ 29"

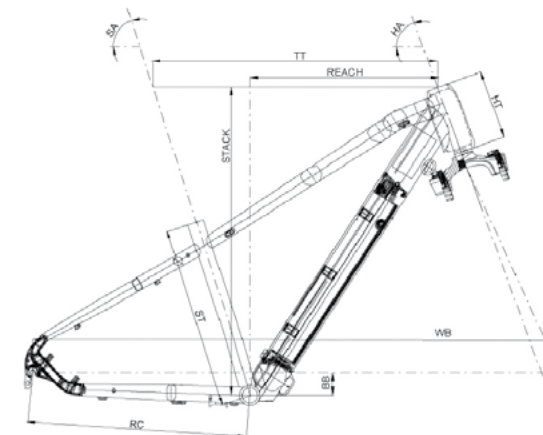
**CONOR**  
**WRC**  
WORLD RACE CONOR



COLOR



<b>CODE</b>	.320470
<b>FRAME</b>	29" Alloy 6061 , Integrated Battery
<b>FORK</b>	Suntour XCM RL , TR: 100mm
<b>SHIFTERS</b>	Shimano M2010 9s
<b>BRAKES</b>	Shimano disc MT200 / Clarks disc E-Clout
<b>REAR DERAILLEUR</b>	Shimano Alivio M3100 9s
<b>CASSETTE</b>	Shimano HG200 9s 11/34T
<b>CHAIN</b>	E-BIKE 1/2" X 11/128 S9e
<b>CRANKSET</b>	Miranda 170mm 34T
<b>BATTERY</b>	VEKEN-ROCKETS 504WH 36V/14AH"
<b>CHARGER</b>	SINLION ID-1-PRO 36V 2A
<b>MOTOR</b>	BAFANG RM G020.250.DC 250W, 45Nm
<b>DISPLAY</b>	Display Bafang LCD DP C11
<b>TYRES</b>	29"x2,25 CST C1846
<b>SADDLE</b>	Conor Java Confort
<b>SEAT POST</b>	Alloy 30,9x350mm
<b>HANDLEBAR</b>	Alloy 31,8mm
<b>STEM</b>	TDS-C301-8FOV/ISO-M 31,8mm
<b>HEADSET</b>	A-head Integrated 1 1/8"
<b>FRONT HUB</b>	Alloyo MHB20
<b>REAR HUB</b>	BAFANG MOTOR RM G020.250.DC 250W, 45Nm
<b>RIM</b>	Alloy double wall
<b>SIZES</b>	SM, MD, LA, XL



	SM	MD	LA	XL
<b>ST (mm)</b>	395	432	483	533
<b>TT (mm)</b>	619,54	619,54	619,54	630
<b>HT (mm)</b>	150	150	150	150
<b>RC (mm)</b>	475	475	475	475
<b>BB (mm)</b>	50	50	50	50
<b>WB (mm)</b>	1146,75	1146,75	1146,75	1157,21
<b>REACH (mm)</b>	408,3	408,3	408,3	418,76
<b>STACK (mm)</b>	669,98	669,98	669,98	669,98
<b>Ha (°)</b>	70°	70°	70°	70°
<b>Sa (°)</b>	72.5°	72.5°	72.5°	72.5°

---

# MUR 8S

---

## E-MTB BAFANG

---

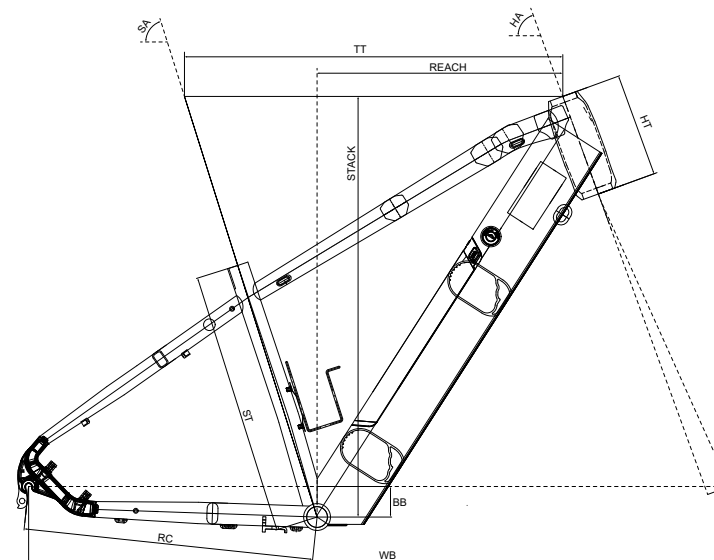
○ 29"

**CONOR**  
**WRC**  
WORLD RACE CONOR

COLOR



<b>CODE</b>	.420471
<b>FRAME</b>	29" Alloy 6061, Integrated battery
<b>FORK</b>	Zoom 525AMS RLO Tr.100
<b>SHIFTERS</b>	Shimano M315 8s
<b>BRAKES</b>	Shimano disc MT200
<b>REAR DERAILLEUR</b>	Shimano Altus M310DL 8s
<b>CASSETTE</b>	Shimano HG200 8s 12/32T
<b>CHAIN</b>	E-Bike 1/2" x 3/32" Z8 KMC
<b>CRANKSET</b>	Miranda Delta, Alloy 170mm 34T
<b>DISPLAY</b>	Bafang LCD DP C11
<b>BATTERY</b>	Kaispower ELL-Pro 36V/14AH (504Wh)
<b>CHARGER</b>	DPOWER 36V/2A
<b>MOTOR</b>	Kaispower ELL-Pro 36V/17.5AH (630Wh)
<b>TYRES</b>	29"x2, 25 CST C1846
<b>SADDLE</b>	VD-666D-03
<b>SEAT POST</b>	Alloy SP-C207 30,9x350mm
<b>HANDLEBAR</b>	Alloy 31,8mm
<b>STEM</b>	Alloy, 28.6mm, Ext.90mm, 31.8mm
<b>HEADSET</b>	Ahead 1 - 1/8"
<b>FRONT HUB</b>	Alloy A260F 36h 9X100mm
<b>REAR HUB</b>	MOTOR BAFANG RM G020.250.DC 250W, 45Nm
<b>RIM</b>	Alloy 29 Double rim
<b>SIZES</b>	SM, MD, LA, XL
<b>OPTION BAT</b>	Kaispower ELL-Pro 36V/17.5AH (630Wh)



	SM	MD	LA	XL
<b>ST (mm)</b>	395	432	483	533
<b>TT (mm)</b>	616	619,54	619,54	619,54
<b>HT (mm)</b>	170	170	170	170
<b>RC (mm)</b>	475	475	475	475
<b>BB (mm)</b>	50	50	50	50
<b>WB (mm)</b>	1147,13	1147,67	1147,67	1147,67
<b>REACH (mm)</b>	398,4	410,94	410,94	410,94
<b>STACK (mm)</b>	690,15	690,15	690,15	690,15
<b>Ha (°)</b>	70°	70°	70°	70°
<b>Sa (°)</b>	72,3°	72,3°	72,3°	72,3°



---

# NEPAL 9S

---

## E-MTB BAFANG

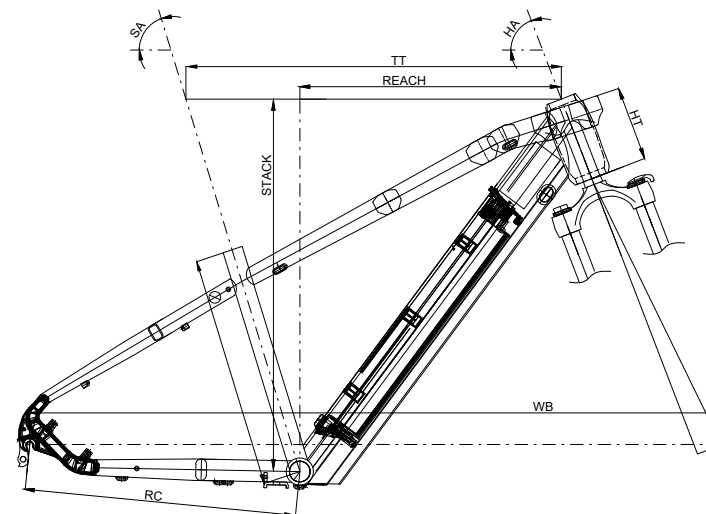
---

○ 27,5"



COLOR

<b>CODE</b>	.420474
<b>FRAME</b>	27,5" Alloy 6061, Integrated battery
<b>FORK</b>	Suntour SF19-XCM DS RLO 27,5 Tr.100
<b>SHIFTERS</b>	Shimano M3000 9s
<b>BRAKES</b>	Shimano disc MT200
<b>REAR DERAILLEUR</b>	Shimano M3100 SGS 9s
<b>CASSETTE</b>	Shimano HG200 9s 11/34T
<b>CHAIN</b>	E-Bike 1/2" x 11/128 S9e
<b>CRANKSET</b>	Miranda Delta, Alloy 170mm 34T
<b>DISPLAY</b>	Bafang LCD DP C221, Bluetooth 5.0
<b>BATTERY</b>	Kaispower Ell-Pro 36V/14AH (504Wh)
<b>CHARGER</b>	DPOWER 36V/2A
<b>MOTOR</b>	BAFANG RM G020.250.DC 36V 250W, 45Nm
<b>TYRES</b>	27,5"x2,25 CST C1846
<b>SADDLE</b>	VD-666D-03
<b>SEAT POST</b>	Alloy SP-C207 30,9x350mm
<b>HANDLEBAR</b>	Alloy 31,8mm
<b>STEM</b>	Alloy, 28.6mm, Ext.75mm, 31.8mm
<b>HEADSET</b>	Ahead 1 - 1/8"
<b>FRONT HUB</b>	Alloy A260F 36h 9X100mm
<b>REAR HUB</b>	MOTOR BAFANG RM G020.250.DC 250W, 45Nm
<b>RIM</b>	Alloy 27,5 Double rim
<b>SIZES</b>	SM, MD
<b>OPTION BAT</b>	Kaispower Ell-Pro 36V/17.5AH (630Wh)



	SM	MD
<b>ST (mm)</b>	381	432
<b>TT (mm)</b>	615	615
<b>HT (mm)</b>	140	140
<b>RC (mm)</b>	445	445
<b>BB (mm)</b>	44	44
<b>WB (mm)</b>	1140,34	1140,34
<b>REACH (mm)</b>	428,28	428,28
<b>STACK (mm)</b>	610,72	610,72
<b>Ha (°)</b>	69°	69°
<b>Sa (°)</b>	71,53°	71,53°

---

# CYCLONE

---

# E-MTB

---

○ 24"

**CONOR**  
**WRC**  
WORLD RACE CONOR

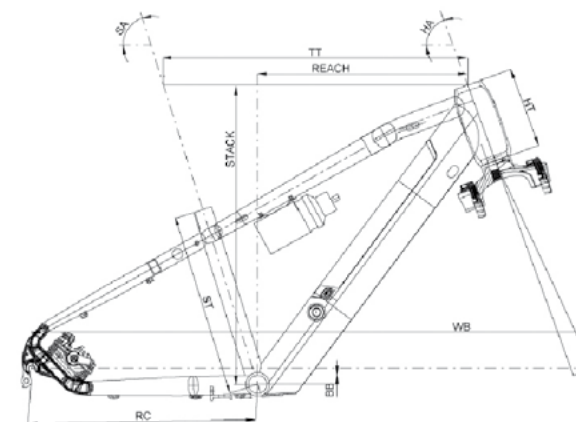


COLOR





<b>CODE</b>	.320478
<b>FRAME</b>	24" Alloy 6061 , Integrated Battery
<b>FORK</b>	MD-982 DISK 24"
<b>SHIFTERS</b>	Shimano M315 8s
<b>BRAKES</b>	Shimano disc MT200 / Clarks disc E-Clout
<b>REAR DERAILLEUR</b>	Shimano Altus M310 8s
<b>CASSETTE</b>	Shimano HG200 8s 12/32T
<b>CHAIN</b>	E-BIKE 1/2" X 11/128 S9e
<b>CRANKSET</b>	Miranda 170mm 34T
<b>BATTERY</b>	SILION 378WH PM-2 fold 36V 10.5
<b>CHARGER</b>	SINLION ID-1-PRO 36V 2A
<b>MOTOR</b>	BAFANG RM G020.250.DC 250W, 45Nm
<b>DISPLAY</b>	Display Bafang LCD DP C11
<b>TYRES</b>	24"X2,25 Wanda
<b>SADDLE</b>	Conor Cyclone Confort
<b>SEAT POST</b>	Alloy 30,9x350mm
<b>HANDLEBAR</b>	Alloy 31,8mm
<b>STEM</b>	TDS-C301-8FOV/ISO-M 31,8mm
<b>HEADSET</b>	A-head Integrated 1 1/8"
<b>FRONT HUB</b>	Alloy MHB20
<b>REAR HUB</b>	BAFANG MOTOR RM G020.250.DC 250W, 45Nm
<b>RIM</b>	Alloy double wall
<b>SIZES</b>	WS



<b>ST (mm)</b>	434
<b>TT (mm)</b>	565
<b>HT (mm)</b>	150
<b>RC (mm)</b>	420
<b>BB (mm)</b>	30
<b>WB (mm)</b>	1040,49
<b>REACH (mm)</b>	389,78
<b>STACK (mm)</b>	555,71
<b>Ha (°)</b>	70°
<b>Sa (°)</b>	72.5°



CONOR

CONOR

WORLD RACE CONOR



---

# WIND

---

# E-GRAVEL

---

○ 29"



EP8 GRX810



EP8 RX810-R/RX815-L

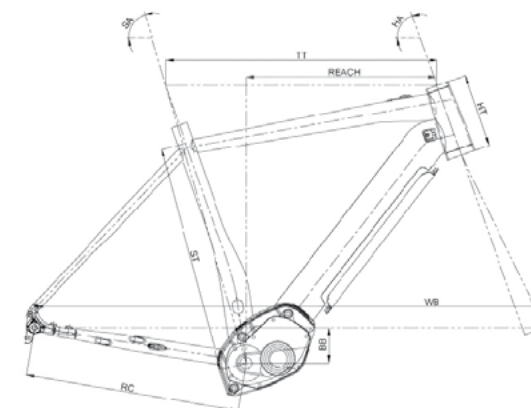
COLOR



**EP8 GRX810**
**EP8 RX810-R/RX815-L**

<b>CODE</b>	.220430 / .320430
<b>FRAME</b>	Alloy 6061, integrated battery, hydroformed, 12x142mm
<b>FORK</b>	Carbon rigid fork, 12x100mm
<b>SHIFTERS</b>	Shimano RX810R/L
<b>BRAKES</b>	Shimano RX810
<b>REAR DERAILLEUR</b>	Shimano RX812
<b>CASSETTE</b>	Shimano Deore M5100 11S 11/42T
<b>CHAIN</b>	KMC e11s
<b>CRANKSET</b>	Shimano CRE80 170mm 47T
<b>BATTERY</b>	Shimano BT-E8035 504Wh (36v 14Ah)
<b>CHARGER</b>	Shimano E6002
<b>MOTOR</b>	Shimano DU-EP800 85Nm, 250W
<b>DISPLAY</b>	Shimano SC-EM800
<b>TYRES</b>	700x37C WTB Riddler
<b>SADDLE</b>	Selle Royal Lift
<b>SEAT POST</b>	WRC Alloy 30,9x350mm
<b>HANDLEBAR</b>	WRC Alloy 400x31.8mm
<b>STEM</b>	WRC Alloy 31,8mm
<b>HEADSET</b>	A-head FSA Tapered
<b>FRONT HUB</b>	Shimano RS470 32h, 12X100mm
<b>REAR HUB</b>	Shimano RS470 32h, 12X142mm
<b>RIM</b>	Alloy double wall
<b>SIZES</b>	SM, MD, LA, XL

<b>CODE</b>	.220431 / .320431
<b>FRAME</b>	Alloy 6061, integrated battery, hydroformed, 12x142mm
<b>FORK</b>	Carbon rigid fork, 12x100mm
<b>SHIFTERS</b>	Shimano RX810-R, RX815-L
<b>BRAKES</b>	Shimano RX810
<b>REAR DERAILLEUR</b>	Shimano RX812
<b>CASSETTE</b>	Shimano Deore M5100 11S 11/42T
<b>CHAIN</b>	KMC e11s
<b>CRANKSET</b>	Shimano CRE80 170mm 47T
<b>BATTERY</b>	Shimano BT-E8035 504Wh (36v 14Ah)
<b>CHARGER</b>	Shimano E6002
<b>MOTOR</b>	Shimano DU-EP800 85Nm, 250W
<b>DISPLAY</b>	Shimano SC-EM800
<b>TYRES</b>	700x37C WTB Riddler
<b>SADDLE</b>	Selle Royal Lift
<b>SEAT POST</b>	WRC Alloy 30,9x350mm
<b>HANDLEBAR</b>	WRC Alloy 400x31.8mm
<b>STEM</b>	WRC Alloy 31,8mm
<b>HEADSET</b>	A-head FSA Tapered
<b>FRONT HUB</b>	Shimano RS470 32h, 12X100mm
<b>REAR HUB</b>	Shimano RS470 32h, 12X142mm
<b>RIM</b>	Alloy double wall
<b>SIZES</b>	SM, MD, LA, XL



	SM 50	MD 52	LA 55	XL 58
<b>ST (mm)</b>	500	520	550	580
<b>TT (mm)</b>	570	570	575	590
<b>HT (mm)</b>	145	155	175	195
<b>RC (mm)</b>	450	450	450	450
<b>BB (mm)</b>	75	75	75	75
<b>WB (mm)</b>	1071	1071	1077	1092
<b>REACH (mm)</b>	404	401	400	410
<b>STACK (mm)</b>	574	583	602	622
<b>Ha (°)</b>	70,6°	70,6°	70,6°	70,6°
<b>Sa (°)</b>	73,9°	73,9°	73,9°	73,9°



helvetia

Carlo II di Borbone  
Kaiser II di Prussia



---

# PRAGA W

---

# E-URBAN

---

○ 28"

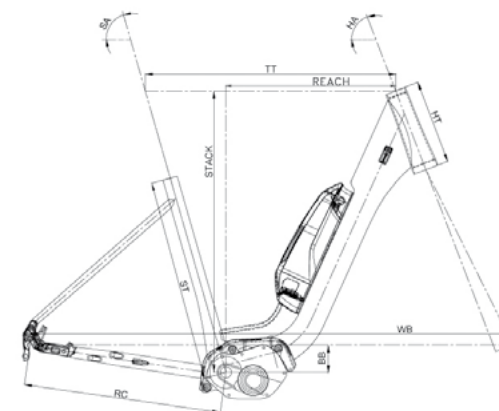
**CONOR**  
**WRE**  
WORLD RACE CONOR



COLOR



<b>CODE</b>	.220408 / .320408
<b>FRAME</b>	28" Alloy 6061, semi integrated battery
<b>FORK</b>	RST Volant Tr.50mm
<b>SHIFTERS</b>	Shimano Alivio M3100-R 9s
<b>BRAKES</b>	Shimano disc MT200
<b>REAR DERAILLEUR</b>	Shimano Alivio M4000 9s
<b>CASSETTE</b>	Shimano HG200 9s 11/34T
<b>CHAIN</b>	E-bike e9 9s
<b>CRANKSET</b>	Shimano CRE50 44T, 170mm
<b>BATTERY</b>	Shimano BT-E8014 418Wh (36v 11,6Ah)
<b>CHARGER</b>	Shimano E6002
<b>MOTOR</b>	Shimano DU-E5000 40Nm, 250W
<b>DISPLAY</b>	Shimano SC-E5000
<b>TYRES</b>	700x38C Delta Cruiser plus
<b>SADDLE</b>	Selle Royal Gel Wave 8067
<b>SEAT POST</b>	Alloy 30,4x300mm
<b>HANDLEBAR</b>	Alloy 620x31,8mm
<b>STEM</b>	Alloy Adjustable Ext.95mm, 31,8mm
<b>HEADSET</b>	Semi integrated 1 1/8"
<b>FRONT HUB</b>	Shimano TX505 32h 9x100mm center lock
<b>REAR HUB</b>	Shimano TX505 32h 9x135mm center lock
<b>RIM</b>	Alloy double wall
<b>SIZES</b>	WM, WL



	WM	WL
<b>ST (mm)</b>	450	480
<b>TT (mm)</b>	580	595
<b>HT (mm)</b>	200	200
<b>RC (mm)</b>	470	470
<b>BB (mm)</b>	65	65
<b>WB (mm)</b>	1132	1147
<b>REACH (mm)</b>	388	403
<b>STACK (mm)</b>	668	668
<b>Ha (°)</b>	69°	69°
<b>Sa (°)</b>	74°	74°

# PRAGA MAN

## E-URBAN SHIMANO

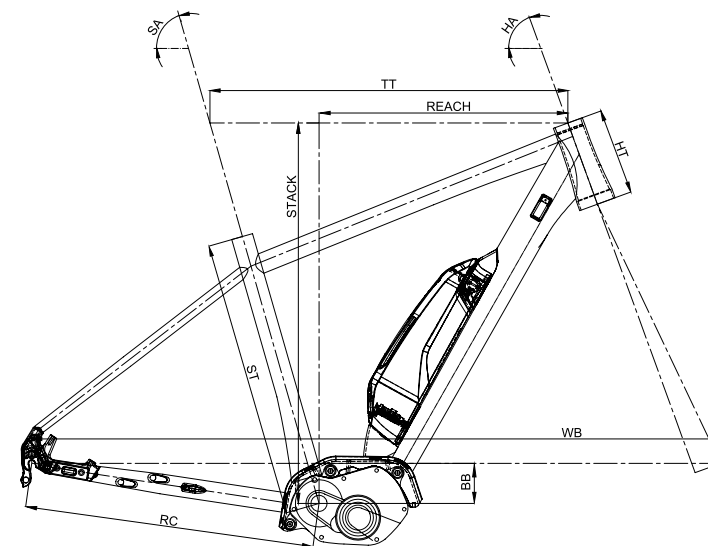
**CONOR**  
**WRC**  
WORLD RACE CONOR

○ 28"

COLOR



<b>CODE</b>	.220408 / .320408
<b>FRAME</b>	28" Alloy 6061, semi integrated battery
<b>FORK</b>	RST Volant Tr.50mm
<b>SHIFTERS</b>	Shimano Alivio M3100-R 9s
<b>BRAKES</b>	Shimano disc MT200
<b>REAR DERAILLEUR</b>	Shimano Alivio M4000 9s
<b>CASSETTE</b>	Shimano HG200 9v 11/34T
<b>CHAIN</b>	E-bike e9 9s'
<b>CRANKSET</b>	Shimano CRE50 44T, 170mm
<b>BATTERY</b>	Shimano BT-E8014 418Wh (36v 11,6Ah)
<b>CHARGER</b>	Shimano E6002
<b>CHARGER ADAPTOR</b>	Shimano KSMBTE60 (ACCSMBTE60)
<b>MOTOR</b>	Shimano DU-E5000 40Nm, 250W
<b>DISPLAY</b>	Shimano SC-E5000
<b>TYRES</b>	700x38C Delta Cruiser plus
<b>SADDLE</b>	Selle Royal Gel Wave 8067
<b>SEAT POST</b>	Alloy 30,4x300mm
<b>HANDLEBAR</b>	Alloy 620x31,8mm
<b>STEM</b>	Alloy Adjustable Ext.95mm, 31,8mm
<b>HEADSET</b>	Semi integrated 1 1/8"
<b>FRONT HUB</b>	Shimano TX505 32h 9x100mm center lock
<b>REAR HUB</b>	Shimano TX505 32h 9x135mm center lock
<b>RIM</b>	Alloy double rim
<b>SIZES</b>	MD, LA



	MD	LA
<b>ST (mm)</b>	450	480
<b>TT (mm)</b>	580	595
<b>HT (mm)</b>	140	150
<b>RC (mm)</b>	470	470
<b>BB (mm)</b>	65	65
<b>WB (mm)</b>	1116	1132
<b>REACH (mm)</b>	403	415
<b>STACK (mm)</b>	616	626
<b>Ha (°)</b>	70°	70°
<b>Sa (°)</b>	74°	74°



---

**MILAN**

---

**E-URBAN SHIMANO**

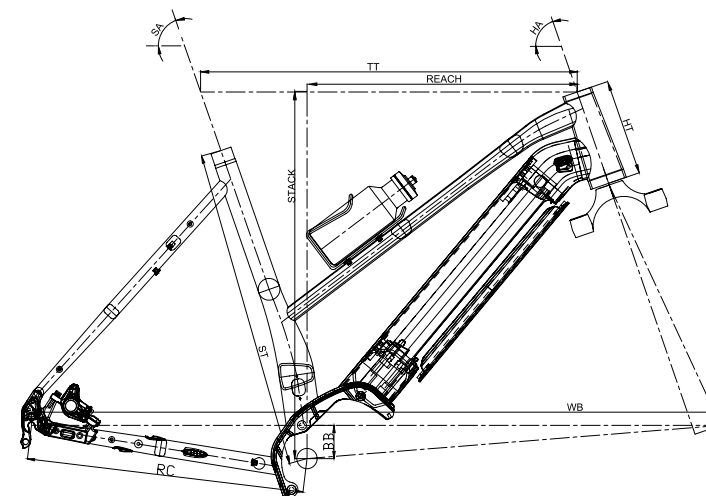
---

○ **27,5"**

COLOR



<b>CODE</b>	.220418
<b>FRAME</b>	27,5" Alloy 6061, Integrated battery
<b>FORK</b>	Alloy rigid
<b>SHIFTERS</b>	Shimano Deore M4100-R 10s
<b>BRAKES</b>	Shimano disc BL-MT401/BR-MT410
<b>REAR DERAILLEUR</b>	Shimano Deore M5120 10s
<b>CASSETTE</b>	Shimano Deore M4100 11/46T
<b>CHAIN</b>	E-Bike S10e
<b>CRANKSET</b>	Shimano CRE61 44T, 170mm
<b>BATTERY</b>	Shimano BT-E8035 504Wh (36v 14 Ah)
<b>CHARGER</b>	Shimano E8004
<b>CHARGER ADAPTOR</b>	Shimano KSMBTE60 (ACCSMBTE60)
<b>MOTOR</b>	Shimano DU-E6100 60Nm, 250W
<b>DISPLAY</b>	Shimano SC-E6100
<b>ASSIST SWITCH</b>	Shimano SW-E6010L
<b>TYRES</b>	27,5"x2,25 Schwalbe G-One
<b>SADDLE</b>	Selle Royal Essenza
<b>SEAT POST</b>	WRC Alloy 30,9x350mm
<b>HANDLEBAR</b>	Alloy 680x31,8mm
<b>STEM</b>	Alloy Ext.90mm, 31.8mm
<b>HEADSET</b>	Semi integrated 1 1/8"
<b>FRONT HUB</b>	Shimano M3050 32h, 9X100mm center lock
<b>REAR HUB</b>	Shimano M3050 10s, 32h, 9X135mm center lock
<b>RIM</b>	Alloy double wall
<b>SIZES</b>	LA, XL



	LA	XL
<b>ST (mm)</b>	480	530
<b>TT (mm)</b>	584	624
<b>HT (mm)</b>	160	160
<b>RC (mm)</b>	460	460
<b>BB (mm)</b>	55	55
<b>WB (mm)</b>	1102	1142
<b>REACH (mm)</b>	408	448
<b>STACK (mm)</b>	608	608
<b>Ha (°)</b>	71°	71°
<b>Sa (°)</b>	70,9°	70,9°

---

# NIZA

---

## E-URBAN SHIMANO

---

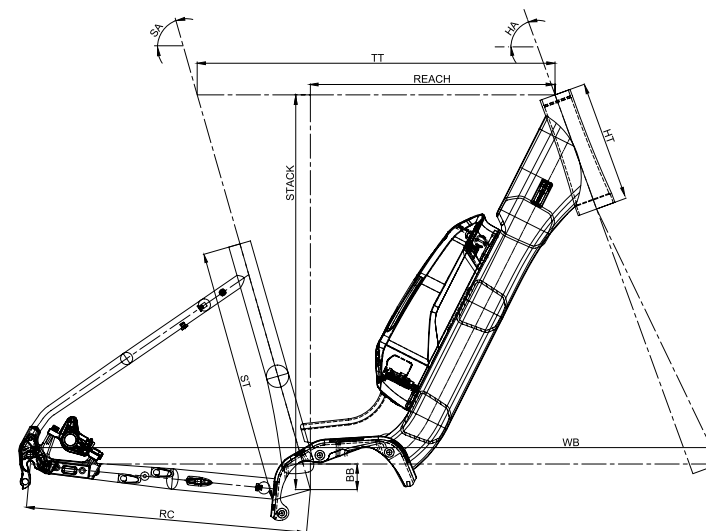
○ 26"



COLOR



<b>CODE</b>	.220402
<b>FRAME</b>	26" Alloy 6061 Disc
<b>FORK</b>	RST Avalon
<b>SHIFTERS</b>	Shimano Alivio M3100-R 9s
<b>BRAKES</b>	Shimano disc MT200
<b>REAR DERAILLEUR</b>	Shimano Alivio M3100 9s
<b>CASSETTE</b>	Shimano HG200 9s 11/36T
<b>CHAIN</b>	E-bike e9 9s
<b>CRANKSET</b>	Shimano CRE-50 44T, 170mm
<b>BATTERY</b>	Shimano BT-E8014 418Wh (36v/11,6Ah)
<b>CHARGER</b>	Shimano E6002
<b>MOTOR</b>	Shimano DU-E5000 40Nm, 250W
<b>DISPLAY</b>	Shimano SC-E5000
<b>TYRES</b>	26x1,95 Delta Cruiser Plus
<b>SADDLE</b>	Selle Royal Essenza
<b>SEAT POST</b>	Alloy 30,4x350mm
<b>HANDLEBAR</b>	Alloy 590x25,4mm
<b>STEM</b>	Alloy Adjustable Ext.100mm, 25,4mm
<b>HEADSET</b>	Semi integrated 1 1/8"
<b>FRONT HUB</b>	Shimano TX505 36h 9x100mm center lock
<b>REAR HUB</b>	Shimano TX505 36h 9x135mm center lock
<b>RIM</b>	Alloy double wall
<b>SIZES</b>	WS,WM



	WS	WM
<b>ST (mm)</b>	400	440
<b>TT (mm)</b>	560	580
<b>HT (mm)</b>	190	190
<b>RC (mm)</b>	440	440
<b>BB (mm)</b>	40	40
<b>WB (mm)</b>	1078	1098
<b>REACH (mm)</b>	383	403
<b>STACK (mm)</b>	618	618
<b>Ha (°)</b>	70°	70°
<b>Sa (°)</b>	74°	74°

---

# PORTO

---

# E-CARGO

---

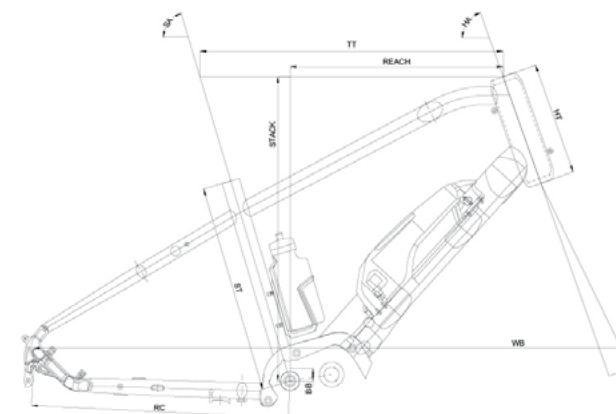
○ 24"

\*Photo not available. The final result may vary from the image.



COLOR

<b>CODE</b>	.420220
<b>FRAME</b>	24" alloy 6061 semi Integrated battery
<b>FORK</b>	Rigid fork
<b>SHIFTERS</b>	Shimano Alivio M3100-R 9s
<b>BRAKES</b>	Shimano disc MT200
<b>REAR DERAILLEUR</b>	Shimano Alivio M3100 9s
<b>CASSETTE</b>	Shimano HG200 9s 11/32T
<b>CHAIN</b>	KMC X9 9s
<b>CRANKSET</b>	Shimano CRE61 44T EM600 170mm
<b>BATTERY</b>	Shimano BT-EN606 630Wh (36v/17,5 Ah)
<b>CHARGER</b>	Shimano E6002
<b>MOTOR</b>	Shimano DU-EP600CRG 85Nm, 250W
<b>DISPLAY</b>	Shimano SC-EN500
<b>ASSIST SWITCH</b>	Shimano SW-EN600
<b>TYRES</b>	24x2,60 Kenda K1080
<b>SADDLE</b>	Selle Royal Essenza
<b>SEAT POST</b>	Alloy 30,4x350mm
<b>HANDLEBAR</b>	WRC Alloy 600X31,8mm
<b>STEM</b>	WRC Alloy Adjustable Ext.90mm, 31.8mm
<b>HEADSET</b>	Semi integrated 1 1/8"
<b>FRONT HUB</b>	Shimano TX505 36h 9x100mm center lock
<b>REAR HUB</b>	Shimano TY505 36h 9x135mm center lock
<b>RIM</b>	Alloy double wall
<b>SIZES</b>	One size



<b>ST (mm)</b>	406
<b>TT (mm)</b>	590
<b>HT (mm)</b>	220
<b>RC (mm)</b>	500
<b>BB (mm)</b>	25
<b>WB (mm)</b>	1163
<b>REACH (mm)</b>	415
<b>STACK (mm)</b>	592
<b>Ha (°)</b>	70°
<b>Sa (°)</b>	74°



---

# VIENA

---

## E-CARGO VINKA

---

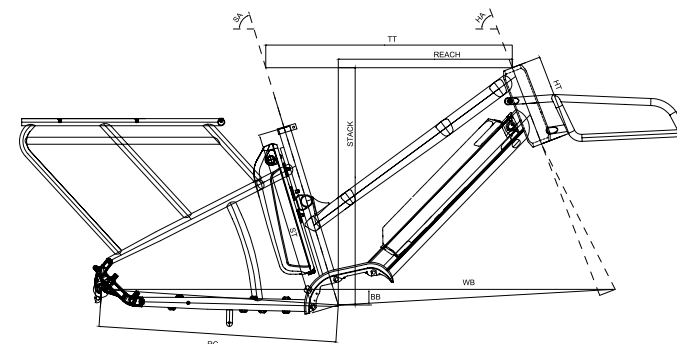
○ 27,5"

\*Photo not available. The final result may vary from the image.

COLOR



<b>CODE</b>	.420440
<b>FRAME</b>	27,5" Alloy 6061
<b>FORK</b>	Rigid fork
<b>SHIFTERS</b>	Shimano M3000 9s
<b>BRAKES</b>	Shimano disc MT200
<b>REAR DERAILLEUR</b>	Shimano M370SGSL 9s
<b>CASSETTE</b>	Shimano HG200 9s 11/34T
<b>CHAIN</b>	E-Bike e9S 1/2"x11/128"
<b>CRANKSET</b>	Alloy 170mm 38T W/ chaincover
<b>DISPLAY</b>	Vinka LCD DC22
<b>BATTERY</b>	2-Kaispower ELL-Pro 36V/15AH (540Wh) / 1-Kaispower ELL-Pro 36V/25AH (900Wh)
<b>CHARGER</b>	DPOWER 36V/2A
<b>MOTOR</b>	CONOR/MINKA C20 36v*250W*80Nm
<b>TYRES</b>	27,5"x2,40 CST C1807
<b>SADDLE</b>	VD1162E
<b>SEAT POST</b>	Alloy SP-208 27.2X350mm
<b>HANDLEBAR</b>	Alloy 31,8mm
<b>STEM</b>	Alloy, 28.6mm, Ext.75mm, 31.8mm
<b>HEADSET</b>	A-head 1 - 1/8"
<b>FRONT HUB</b>	Alloy Novatec M9 36H 100mm QR
<b>REAR HUB</b>	Alloy Novatec M10 36H 135mm QR
<b>RIM</b>	Alloy double wall
<b>SIZES</b>	ONE SIZE



<b>ST (mm)</b>	500
<b>TT (mm)</b>	665
<b>HT (mm)</b>	220
<b>RC (mm)</b>	640
<b>BB (mm)</b>	42
<b>WB (mm)</b>	1385,69
<b>REACH (mm)</b>	469,38
<b>STACK (mm)</b>	639,86
<b>Ha (°)</b>	69°
<b>Sa (°)</b>	71,38°

---

# RODAS

---

# E-CARGO

---

○ **27,5"**

\*Photo not available. The final result may vary from the image.

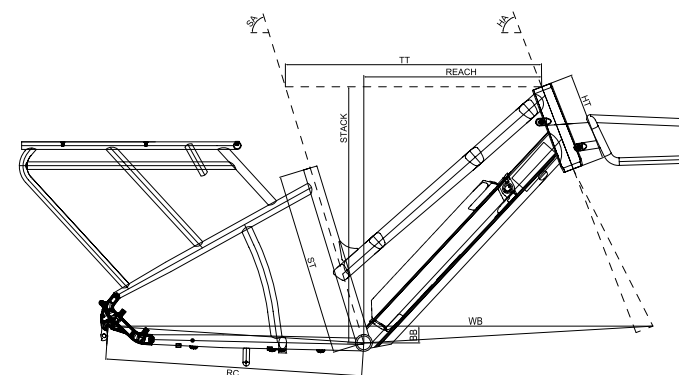
COLOR





**RODAS**

<b>CODE</b>	.420442
<b>FRAME</b>	27,5" Alloy 6061
<b>FORK</b>	Rigid fork
<b>SHIFTERS</b>	Shimano M315 8s
<b>BRAKES</b>	Shimano disc MT200
<b>REAR DERAILLEUR</b>	Shimano M310 8s
<b>CASSETTE</b>	Shimano HG200 8s 12/32T
<b>CHAIN</b>	E-Bike 1/2" x 3/32" S8e
<b>CRANKSET</b>	Alloy 170mm 38T
<b>DISPLAY</b>	Bafang LCD DP C221, Bluetooth 5.0 W/Chaincover
<b>BATTERY</b>	Kaispower ID-21700 36v/25Ah (900Wh)
<b>CHARGER</b>	DPOWER 36V/2A
<b>MOTOR</b>	BAFANG RM G020.250.DC 36V, 250W, 45Nm
<b>TYRES</b>	27,5"x2,40 CST C1807
<b>SADDLE</b>	VD1162E
<b>SEAT POST</b>	Aluminio SP-C207 30,4x350mm
<b>HANDLEBAR</b>	Alloy 31,8mm
<b>STEM</b>	Alloy, 28.6mm, Ext.75mm, 31.8mm
<b>HEADSET</b>	A-head 1 - 1/8"
<b>FRONT HUB</b>	Aluminio M9 36H 100mm QR
<b>REAR HUB</b>	MOTOR BAFANG RM G020.250.DC 250W, 45Nm
<b>RIM</b>	Alloy double wall
<b>SIZES</b>	ONE SIZE

**ESPECIFICACIONES**


<b>ST (mm)</b>	457
<b>TT (mm)</b>	640
<b>HT (mm)</b>	220
<b>RC (mm)</b>	640
<b>BB (mm)</b>	42
<b>WB (mm)</b>	1360,69
<b>REACH (mm)</b>	444,38
<b>STACK (mm)</b>	639,86
<b>Ha (°)</b>	69°
<b>Sa (°)</b>	73°

---

# LONDON

---

# E-URBAN

---

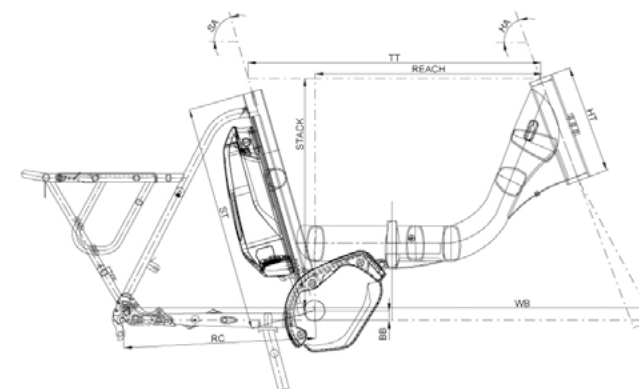
○ 20"

**CONOR**  
**WRC**  
WORLD RACE CONOR



COLOR

<b>CODE</b>	.220401
<b>FRAME</b>	20" Alloy 6061 folding
<b>FORK</b>	Rigid fork
<b>SHIFTERS</b>	Shimano M315 8s
<b>BRAKES</b>	Shimano disc MT200
<b>REAR DERAILLEUR</b>	Shimano Altus M310 8s
<b>CASSETTE</b>	Sunrace CSM55.8AU 8s 11/32T
<b>CHAIN</b>	X8 8s
<b>CRANKSET</b>	Shimano CRE50 38T, E5010 170mm
<b>BATTERY</b>	Shimano BT-E8014 418Wh (36v/11,6Ah)
<b>CHARGER</b>	Shimano E6002
<b>MOTOR</b>	Shimano DU-E5000 40Nm, 250W
<b>DISPLAY</b>	Shimano SC-E5000
<b>ASSIST SWITCH</b>	Shimano SW-E5000
<b>TYRES</b>	20X2,125 Big Apple
<b>SADDLE</b>	Selle Royal gel Wave 8129
<b>SEAT POST</b>	Alloy 34x450mm
<b>HANDLEBAR</b>	Steel 580x25.4mm
<b>STEM</b>	Alloy FB-D308 25,4mm folding
<b>HEADSET</b>	FSA 1 1/8"
<b>FRONT HUB</b>	Shimano TX505 32h 9x100mm center lock
<b>REAR HUB</b>	Shimano TX505 32h 9x135mm center lock
<b>RIM</b>	Alloy double wall
<b>DIMENSIONS FOLDED</b>	950x770x500mm



<b>ST (mm)</b>	470
<b>TT (mm)</b>	605
<b>HT (mm)</b>	225
<b>RC (mm)</b>	400
<b>BB (mm)</b>	20
<b>WB (mm)</b>	1100
<b>REACH (mm)</b>	467
<b>STACK (mm)</b>	479
<b>Ha (°)</b>	69,5°
<b>Sa (°)</b>	74°



---

# WYCK

---

# E-URBAN

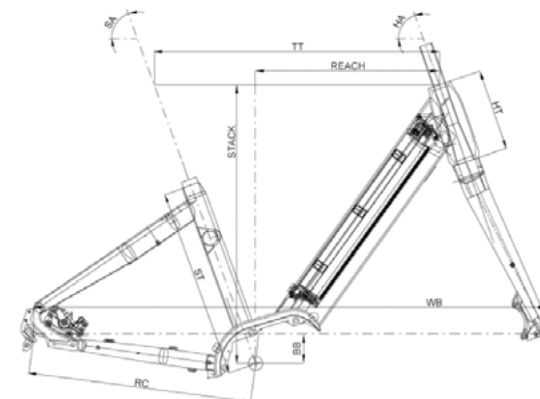
---

○ 28"



COLOR

<b>CODE</b>	.320484
<b>FRAME</b>	28" Alloy 6061, Integrated Battery
<b>FORK</b>	700C Road Disc
<b>SHIFTERS</b>	Shimano M2010 9s / Shimano M3000 9s
<b>BRAKES</b>	Shimano disc MT200 / Clarks disc E-Clout
<b>REAR DERAILLEUR</b>	Shimano Acera M3000 9s
<b>CASSETTE</b>	Shimano HG200 9s 11/34T
<b>CHAIN</b>	YBN S9e 9s
<b>CRANKSET</b>	Alloy 170mm 38T
<b>BATTERY</b>	VEKEN-ROCKETS 504WH 36V/14AH"
<b>CHARGER</b>	PHYLION 36V/2A
<b>MOTOR</b>	CONOR middle driver motor 250W, 80Nm, 3/32 x 38T
<b>DISPLAY</b>	Display Vinka LCD DS21 Black
<b>ASSIST SWITCH</b>	Shimano SW-E5000
<b>TYRES</b>	700x40C Rubena Flash V66
<b>SADDLE</b>	Conor Wyck Confort
<b>SEAT POST</b>	Alloy 30,9x300mm
<b>HANDLEBAR</b>	Alloy 28,6mm
<b>STEM</b>	Alloy 28,6mm
<b>HEADSET</b>	A-head 1 1/8
<b>FRONT HUB</b>	Alloy JY-D761DSE
<b>REAR HUB</b>	Alloy JY-D762TSE
<b>RIM</b>	Alloy double wall
<b>SIZES</b>	MD, LA



	MD	LA
<b>ST (mm)</b>	440	483
<b>TT (mm)</b>	615	615
<b>HT (mm)</b>	115,9	115,9
<b>RC (mm)</b>	494	494
<b>BB (mm)</b>	65	65
<b>WB (mm)</b>	1117,6	1127,6
<b>REACH (mm)</b>	391	391
<b>STACK (mm)</b>	615,4	615,4
<b>Ha (°)</b>	71°	71°
<b>Sa (°)</b>	70°	70°

---

**WYCK SUSP**

---

**E-URBAN**

---

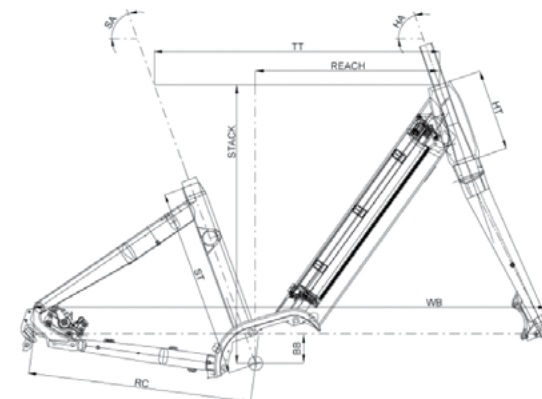
○ **28"**



COLOR



	<b>CODE</b>	.320485
	<b>FRAME</b>	28" Alloy 6061, Integrated Battery
	<b>FORK</b>	Suntour NEX HLO, recorrido 63mm
	<b>SHIFTERS</b>	Shimano M2010 9s / Shimano M3000 9s
	<b>BRAKES</b>	Shimano disc MT200 / Clarks disc E-Clout
<b>REAR DERAILLEUR</b>		Shimano Acera M3000 9s
<b>CASSETTE</b>		Shimano HG200 9s 11/34T
<b>CHAIN</b>		YBN S9e 9s
<b>CRANKSET</b>		Alloy 170mm 38T
<b>BATTERY</b>		VEKEN-ROCKETS 504WH 36V/14AH"
<b>CHARGER</b>		PHYLION 36V/2A
<b>MOTOR</b>		CONOR middle driver motor 250W, 80Nm, 3/32 x 38T
<b>DISPLAY</b>		Display Vinka LCD DS21 Black
<b>ASSIST SWITCH</b>		Shimano SW-E5000
<b>TYRES</b>		700x40C Rubena Flash V66
<b>SADDLE</b>		Conor Wyck Confort
<b>SEAT POST</b>		Alloy 30,9x300mm
<b>HANDLEBAR</b>		Alloy 28,6mm
<b>STEM</b>		Alloy 28,6mm
<b>HEADSET</b>		A-head 1 1/8
<b>FRONT HUB</b>		Alloy JY-D761DSE
<b>REAR HUB</b>		Alloy JY-D762TSE
<b>RIM</b>		Alloy double wall
<b>SIZES</b>		MD, LA



	MD	LA
<b>ST (mm)</b>	440	483
<b>TT (mm)</b>	615	615
<b>HT (mm)</b>	115,9	115,9
<b>RC (mm)</b>	494	494
<b>BB (mm)</b>	65	65
<b>WB (mm)</b>	1117,6	1127,6
<b>REACH (mm)</b>	391	391
<b>STACK (mm)</b>	615,4	615,4
<b>Ha (°)</b>	71°	71°
<b>Sa (°)</b>	70°	70°



---

**PARIS 8S**

---

**E-URBAN VINKA**

---

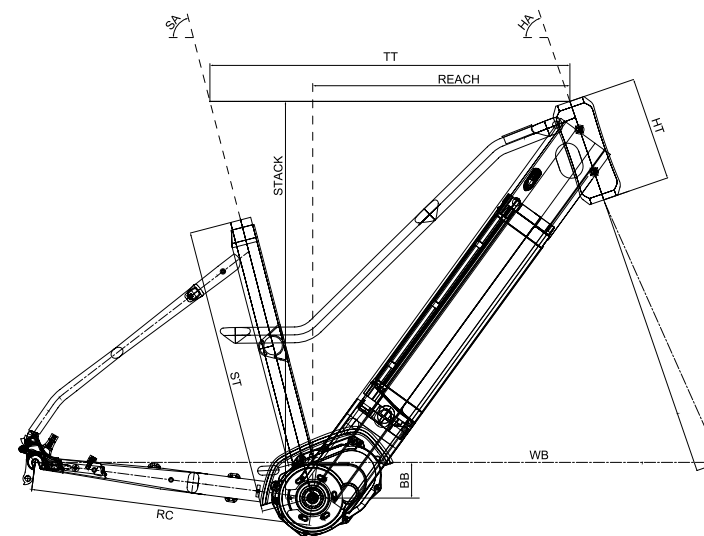
○ **28"**

**CONOR**  
**WRC**  
WORLD RACE CONOR

COLOR



<b>CODE</b>	.420463
<b>FRAME</b>	700 Alloy 6061, Integrated battery
<b>FORK</b>	Suntour SF19-NEX-E25_HLO DS 700C Tr.63mm
<b>SHIFTERS</b>	Shimano M315 8s
<b>BRAKES</b>	Shimano disc MT200
<b>REAR DERAILLEUR</b>	Shimano Altus M310 8s
<b>CASSETTE</b>	Shimano HG200 8s 12/32T
<b>CHAIN</b>	E-Bike 1/2" X 3/32" S8e
<b>CRANKSET</b>	Alloy 170mm 34T
<b>DISPLAY</b>	Vinka LCD DC22
<b>BATTERY</b>	PHYLION 540WH 36V/15AH
<b>CHARGER</b>	SANSHI 36V/2A
<b>MOTOR</b>	CONOR/MINKA E40 36v*250W*60Nm
<b>TYRES</b>	700x45C Kenda
<b>SADDLE</b>	VD-11169-02
<b>SEAT POST</b>	Alloy SP-C208 30,4x350mm
<b>HANDLEBAR</b>	Alloy 31,8mm
<b>STEM</b>	Alloy adjustable, 28.6mm Ext.90mm, 31.8mm
<b>HEADSET</b>	A-head 1 - 1/8"
<b>FRONT HUB</b>	Alloy Novatec D761 36h 9x100mm
<b>REAR HUB</b>	Alloy Novatec D762 36h 9X135mm
<b>RIM</b>	Alloy double wall
<b>SIZES</b>	MD, LA
<b>OPTION BAT</b>	PHYLION 720WH 36V/20AH



	MD	LA
<b>ST (mm)</b>	432	483
<b>TT (mm)</b>	595	605
<b>HT (mm)</b>	175	175
<b>RC (mm)</b>	470	470
<b>BB (mm)</b>	60	60
<b>WB (mm)</b>	1153,66	1153,66
<b>REACH (mm)</b>	433,32	433,32
<b>STACK (mm)</b>	663,06	663,06
<b>Ha (°)</b>	71°	71°
<b>Sa (°)</b>	75,3°	75,3°

---

**BERLIN**

---

**E-URBAN VINKA**

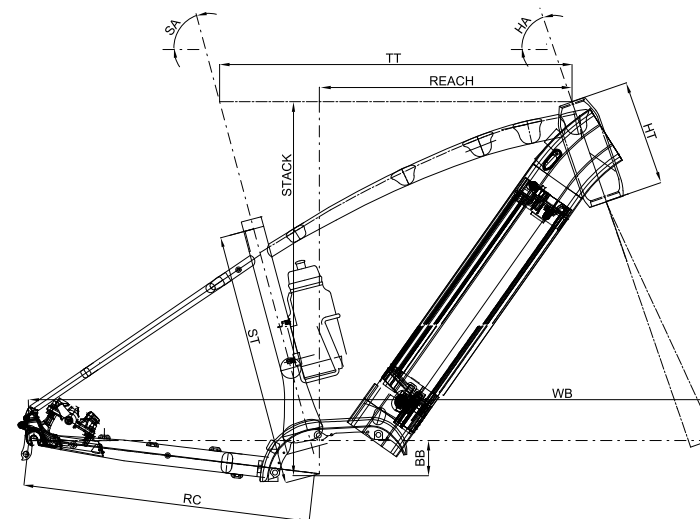
---

○ **27,5"**

COLOR



<b>CODE</b>	.420482
<b>FRAME</b>	27,5" Alloy 6061, Integrated battery
<b>FORK</b>	27,5" Disc, OLD 100mm
<b>SHIFTERS</b>	Shimano M3000 9s
<b>BRAKES</b>	Shimano disc MT200
<b>REAR DERAILLEUR</b>	Shimano M370SGSL 9s
<b>CASSETTE</b>	Shimano HG200 9s 11/34T
<b>CHAIN</b>	E-Bike e9S 1/2" x11/128"
<b>CRANKSET</b>	Alloy 170mm 34T
<b>DISPLAY</b>	Vinka LCD DC22
<b>BATTERY</b>	Phylion GX-20 540WH 36v/15Ah
<b>CHARGER</b>	SANSHI 36V/2A
<b>MOTOR</b>	CONOR/MINKA C20 36v*250W*80Nm
<b>TYRES</b>	27,5"X2, 40 CST C1807
<b>SADDLE</b>	VD-1210
<b>SEAT POST</b>	Alloy SP-C208 30,4x350mm
<b>HANDLEBAR</b>	Alloy 31,8mm
<b>STEM</b>	Alloy, 28,6mm, Ext.75mm, 318mm
<b>HEADSET</b>	A-head 1 - 1/8"
<b>FRONT HUB</b>	Alloy Novatec D761 36h 9x100mm
<b>REAR HUB</b>	Alloy Novatec D762 36h 9X135mm
<b>RIM</b>	Alloy double wall
<b>SIZES</b>	MD, LA, XL
<b>OPTION BAT</b>	PHYLION 720WH 36V/20AH



	MD	LA	XL
<b>ST (mm)</b>	432	483	500
<b>TT (mm)</b>	610	610	600
<b>HT (mm)</b>	180	180	180
<b>RC (mm)</b>	490	490	490
<b>BB (mm)</b>	60	60	60
<b>WB (mm)</b>	1171,68	1171,68	1161,68
<b>REACH (mm)</b>	440,09	440,09	430,09
<b>STACK (mm)</b>	634,12	634,12	634,12
<b>Ha (°)</b>	70°	71°	71°
<b>Sa (°)</b>	75°	75°	75°



# LISBOA AUTOMATIC E-URBAN BAFANG

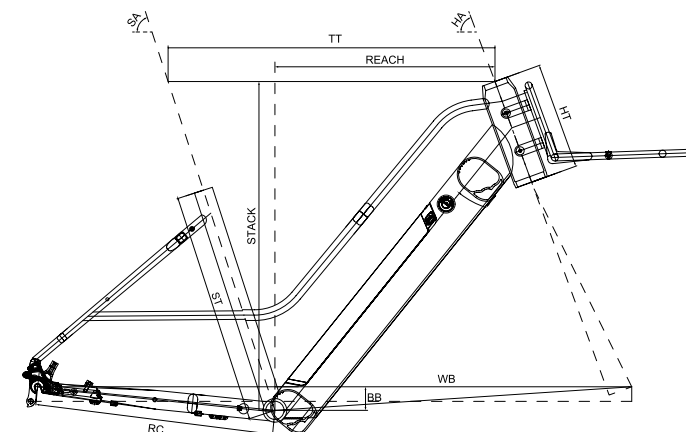
**CONOR**  
**WRE**  
WORLD RACE CONOR

○ 27,5"



COLOR

<b>CODE</b>	.420461
<b>FRAME</b>	27,5" Alloy 6061 Integrated battery
<b>FORK</b>	Rigid fork
<b>BRAKES</b>	Shimano disc MT200
<b>CASSETTE</b>	Steel 2s 16T Automatic trasmission
<b>CHAIN</b>	KMC Z1 1/2" x 3/32"
<b>CRANKSET</b>	BAFANG 1/2" x 1/8, 38T 170mm
<b>CYCLE COMPUTER</b>	Display Bafang LCD DP E161, Bluetooth 5.0
<b>BATTERY</b>	Kaispower Ell-Pro 36V/10,5AH (378Wh)
<b>CHARGER</b>	DPOWER 36V/2A
<b>MOTOR</b>	MOTOR BAFANG RM G3600.250.A2.D 36V*250W*40Nm
<b>TYRES</b>	27,5" x1,95 CST C-1820
<b>SADDLE</b>	VD-850B
<b>SEAT POST</b>	Alloy SP-C208 30,4x300mm
<b>HANDLEBAR</b>	Alloy 25,4mm
<b>STEM</b>	Alloy 25,4mm
<b>HEADSET</b>	Integrated 1 - 1/8"
<b>FRONT HUB</b>	Alloy M9 36H 100mm QR
<b>REAR HUB</b>	MOTOR BAFANG RM G3600.250.A2.D 250W
<b>RIM</b>	Alloy double wall
<b>SIZES</b>	MD, LA



	SM	MD	LA
<b>ST (mm)</b>	390	432	483
<b>TT (mm)</b>	610	610	610
<b>HT (mm)</b>	200	200	200
<b>RC (mm)</b>	449	445	449
<b>BB (mm)</b>	44	44	44
<b>WB (mm)</b>	1112,68	1112,29	1116,29
<b>REACH (mm)</b>	410,61	410,61	410,61
<b>STACK (mm)</b>	613,65	613,65	613,65
<b>Ha (°)</b>	70°	70°	70°
<b>Sa (°)</b>	72°	72°	72°

---

# BALI

---

# E-URBAN

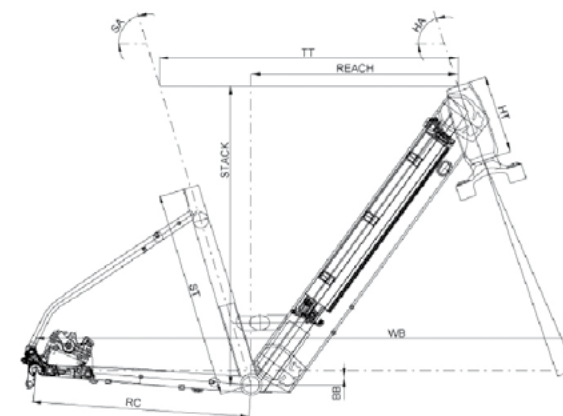
---

○ 28"



COLOR

<b>CODE</b>	.320460
<b>FRAME</b>	28" Alloy 6061, Integrated Battery
<b>FORK</b>	MD-689 AMS/MLO Disc
<b>SHIFTERS</b>	Shimano M315 8s
<b>BRAKES</b>	Shimano disc MT200 / Clarks disc E-Clout
<b>REAR DERAILLEUR</b>	Shimano Altus M310 8s
<b>CASSETTE</b>	Shimano HG200 8s 12/32T
<b>CHAIN</b>	E-BIKE 1/2" X 3/32" S8e
<b>CRANKSET</b>	Miranda 170mm 38T
<b>BATTERY</b>	VEKEN-ROCKETS 504WH 36V/14AH"
<b>CHARGER</b>	SINLION ID-1-PRO 36V 2A
<b>MOTOR</b>	BAFANG RM G020.250.DC 250W, 45Nm
<b>DISPLAY</b>	Bafang LCD DP C11
<b>ASSIST SWITCH</b>	Shimano SW-E5000
<b>TYRES</b>	700X38C (CST C-1777)
<b>SADDLE</b>	Conor Wyck Confort
<b>SEAT POST</b>	Alloy 27,2x300mm
<b>HANDLEBAR</b>	Alloy 28,6mm
<b>STEM</b>	TDS-C269-8 ALLOY 28,6mm
<b>HEADSET</b>	A-head 1 1/8
<b>FRONT HUB</b>	Alloy MHB20
<b>REAR HUB</b>	BAFANG MOTOR RM G020.250.DC 250W, 45Nm
<b>RIM</b>	Alloy double wall
<b>SIZES</b>	SM, MD, LA



	SM	MD	LA
<b>ST (mm)</b>	420	440	460
<b>TT (mm)</b>	575	580	585
<b>HT (mm)</b>	160	160	160
<b>RC (mm)</b>	445	445	445
<b>BB (mm)</b>	65	65	65
<b>WB (mm)</b>	1064	1069	1074
<b>REACH (mm)</b>	367,9	373	377,9
<b>STACK (mm)</b>	656,7	656,7	656,7
<b>Ha (°)</b>	70°	70°	70°
<b>Sa (°)</b>	72.5°	72.5°	72.5°



---

# BALI

---

## E-URBAN BAFANG

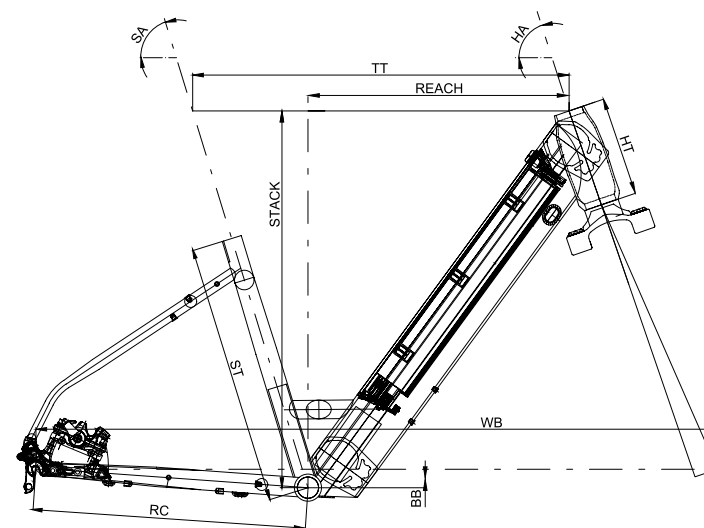
---

○ 28"



COLOR

<b>CODE</b>	.420460
<b>FRAME</b>	700 Alloy 6061, integrated battery
<b>FORK</b>	ZOOM 141D 700C Disc Tr:45mm
<b>SHIFTERS</b>	Shimano M315 8s
<b>BRAKES</b>	Shimano disc MT200
<b>REAR DERAILLEUR</b>	Shimano M310DL 8s
<b>CASSETTE</b>	Shimano HG200 8s 12/32T
<b>CHAIN</b>	E-Bike 1/2" x 3/32" S8e
<b>CRANKSET</b>	Miranda Delta Alloy 170mm 38T, W/protector
<b>DISPLAY</b>	Bafang LCD DP C221, Bluetooth 5.0
<b>BATTERY</b>	Kaispower Ell-Pro 36V/14AH (504Wh)
<b>CHARGER</b>	DPOWER 36V/2A
<b>MOTOR</b>	BAFANG RM G020.250.DC 250W, 45Nm
<b>TYRES</b>	700x42C CST C-1894
<b>SADDLE</b>	VD-850B
<b>SEAT POST</b>	Alloy SP-C208 27,2x300mm
<b>HANDLEBAR</b>	Alloy 31,8mm
<b>STEM</b>	Alloy adjustable, 28.6mm Ext.90mm, 31.8mm
<b>HEADSET</b>	A-head 1 - 1/8"
<b>FRONT HUB</b>	Alloy A260F 36h 9X100mm
<b>REAR HUB</b>	MOTOR BAFANG RM G020.250.DC 250W, 45Nm
<b>RIM</b>	Alloy double wall
<b>SIZES</b>	SM, MD, LA
<b>OPTION BAT</b>	Kaispower Ell-Pro 36V/17.5AH (630Wh)



	SM	MD	LA
<b>ST (mm)</b>	420	440	460
<b>TT (mm)</b>	579	579,3	585
<b>HT (mm)</b>	165	165	165
<b>RC (mm)</b>	445	445	445
<b>BB (mm)</b>	65	65	65
<b>WB (mm)</b>	1.069,0	1.069,0	1.074,7
<b>REACH (mm)</b>	367,8	367,8	373,5
<b>STACK (mm)</b>	670,8	670,8	670,8
<b>Ha (°)</b>	70°	70°	70°
<b>Sa (°)</b>	72,3°	72,3°	72,3°

---

# LOMBOK

---

# E-URBAN BAFANG

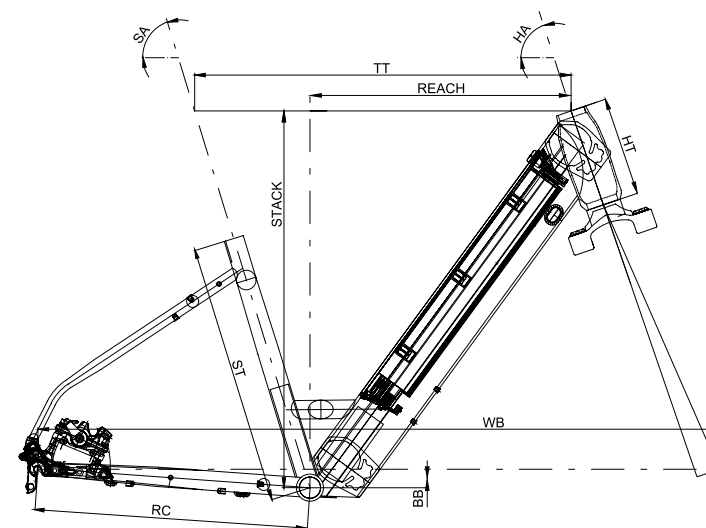
---

○ 26"



COLOR

<b>CODE</b>	.420464
<b>FRAME</b>	26" Alloy 6061 integrated battery
<b>FORK</b>	Zoom 26" CH-565 Disc Tr: 50mm
<b>SHIFTERS</b>	Shimano M315 8s
<b>BRAKES</b>	Shimano disc MT200
<b>REAR DERAILLEUR</b>	Shimano M310DL 8s
<b>CASSETTE</b>	Shimano HG200 8s 12/32T
<b>CHAIN</b>	E-Bike 1/2" x 3/32" S8e
<b>CRANKSET</b>	Miranda Delta Alloy 170mm 38T, W/protector
<b>DISPLAY</b>	Bafang LCD DP C221, Bluetooth 5.0
<b>BATTERY</b>	Kaispower Ell-Pro 36V/14AH (504Wh)
<b>CHARGER</b>	DPOWER 36V/2A
<b>MOTOR</b>	BAFANG RM G020.250.DC 36V 250W, 45Nm
<b>TYRES</b>	26"x2,0 Kenda K885
<b>SADDLE</b>	VD-850B
<b>SEAT POST</b>	Alloy SP-C208 27,2x300mm
<b>HANDLEBAR</b>	Alloy 31,8mm
<b>STEM</b>	Alloy adjustable, 28.6mm Ext.90mm, 31.8mm
<b>HEADSET</b>	A-head 1 - 1/8"
<b>FRONT HUB</b>	Alloy A260F 36h 9X100mm
<b>REAR HUB</b>	MOTOR BAFANG RM G020.250.DC 250W, 45Nm
<b>RIM</b>	Alloy double wall
<b>SIZES</b>	SM, MD
<b>OPTION BAT</b>	Kaispower Ell-Pro 36V/17.5AH (630Wh)



	SM	MD
<b>ST (mm)</b>	420	440
<b>TT (mm)</b>	575	575
<b>HT (mm)</b>	160	160
<b>RC (mm)</b>	440	440
<b>BB (mm)</b>	30	30
<b>WB (mm)</b>	1.067,3	1.067,3
<b>REACH (mm)</b>	389,4	389,4
<b>STACK (mm)</b>	607,1	607,1
<b>Ha (°)</b>	71°	71°
<b>Sa (°)</b>	73°	73°



---

# MAUI

---

# E-URBAN

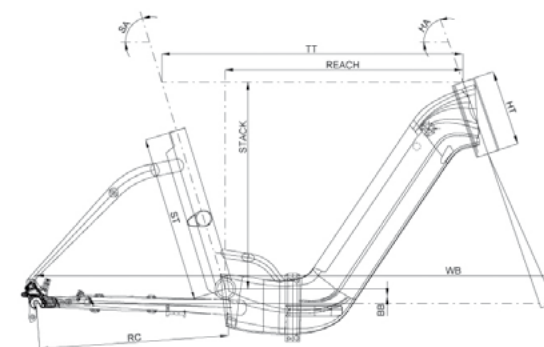
---

○ 20"



COLOR

<b>CODE</b>	.420450
<b>FRAME</b>	20" Alloy 6061 folding
<b>FORK</b>	Rigid fork w/magnet
<b>SHIFTERS</b>	Shimano RS36 6s
<b>BRAKES</b>	Shimano Disc MT200
<b>REAR DERAILLEUR</b>	Shimano TY21 6s
<b>CASSETTE</b>	Shimano TZ500 6s 14/28T
<b>CHAIN</b>	KMC Z6 1/2" x 3/32"
<b>CRANKSET</b>	Alloy 170mm 52T
<b>BATTERY</b>	Kaispower SYR-003 36V/105Ah 378Wh
<b>CHARGER</b>	Dpower 36v/2A
<b>MOTOR</b>	BAFANG RM G010.250.D 250W 32 Nm
<b>DISPLAY</b>	Bafang DP E160 led
<b>TYRES</b>	20"x2.25 Kenda K1052
<b>SADDLE</b>	VD 1152A-02
<b>SEAT POST</b>	Alloy 30,4x450mm
<b>HANDLEBAR</b>	Alloy 540x25.4mm
<b>STEM</b>	Alloy folding 25.4c70mm
<b>HEADSET</b>	WZ01-ED
<b>FRONT HUB</b>	Alloy A260F 36h 9X100mm
<b>REAR HUB</b>	BAFANG MOTOR RM G010.250.D 250W, 32Nm
<b>RIM</b>	Alloy double wall
<b>SIZES</b>	One size
<b>FOLDED DIMENSIONS</b>	920x470x650



<b>ST (mm)</b>	271
<b>TT (mm)</b>	579
<b>HT (mm)</b>	110
<b>RC (mm)</b>	400
<b>BB (mm)</b>	40
<b>WB (mm)</b>	1005
<b>REACH (mm)</b>	347
<b>STACK (mm)</b>	449
<b>Ha (°)</b>	73°
<b>Sa (°)</b>	73°







# CLOUD ULTEGRA DI2

## ROAD

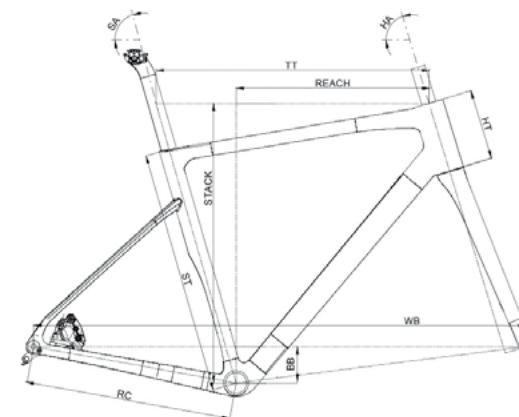
**CONOR**  
**WRC**  
WORLD RACE CONOR



COLOR



<b>CODE</b>	.230226
<b>FRAME</b>	Carbon UD Toray 30T/T800 WRC Aero Cloud Disc 12x142mm
<b>FORK</b>	Carbon Road WRC Cloud, asymmetric head tube, 12X100mm
<b>SHIFTERS</b>	Shimano Ultegra R8170
<b>BRAKES</b>	Shimano Ultegra R8170
<b>REAR DERAILLEUR</b>	Shimano Ultegra Di2 R8150 12s
<b>FRONT DERAILLEUR</b>	Shimano Ultegra Di2 R8150
<b>CASSETTE</b>	Shimano R8100 Ultegra 12s 11-34T
<b>CHAIN</b>	Shimano CN-M6100 12s
<b>CRANKSET</b>	Shimano Ultegra R8100 52/36T 12v 172.5-175mm
<b>TYRES</b>	Vittoria Rubino Pro 25-622 Fold Brown
<b>SADDLE</b>	Selle Italia Aspide Short Open-fit
<b>SEAT POST</b>	WRC Cloud
<b>HANDLEBAR</b>	WRC Carbon cockpit
<b>STEM</b>	WRC Carbon cockpit
<b>HEADSET</b>	WRC 1,5 ACR
<b>SIZES</b>	49, 52, 54, 56, 58
<b>WHEELS</b>	WRC carbon 42mm Disc



	XS	SM	MD	LA	XL
<b>ST (mm)</b>	440	465	485	505	525
<b>TT (mm)</b>	508	530	540	562	577
<b>HT (mm)</b>	115	125	145	165	190
<b>RC (mm)</b>	405	405	405	405	405
<b>BB (mm)</b>	72	72	72	72	72
<b>WB (mm)</b>	967	969	975	987	1002
<b>REACH (mm)</b>	372	378	382	393	401
<b>STACK (mm)</b>	522	532	552	572	597
<b>Ha (°)</b>	72°	72,5°	73°	73,5°	73,5°
<b>Sa (°)</b>	75°	74°	74°	73,5°	73,5°

# CLOUD ULTEGRA DI2

## ROAD

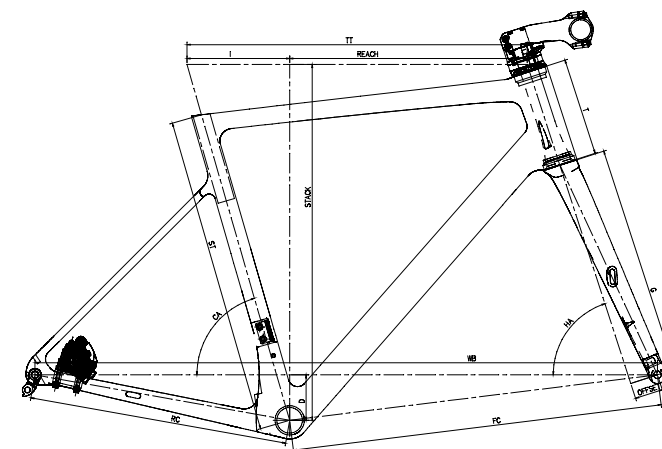
**CONOR**  
**WRC**  
WORLD RACE CONOR

\*Photo not available. The final result may vary from the image.



COLOR

<b>CODE</b>	.430226
<b>FRAME</b>	Carbon UD Toray 30T/T800 WRC Aero Cloud Disc 12x142mm
<b>FORK</b>	Carbon Road WRC Cloud, asymmetric head tube, 12X100mm
<b>SHIFTERS</b>	Shimano Ultegra R8170
<b>BRAKES</b>	Shimano Ultegra R8170
<b>REAR DERAILLEUR</b>	Shimano Ultegra Di2 R8150 12s
<b>FRONT DERAILLEUR</b>	Shimano Ultegra Di2 R8150
<b>CASSETTE</b>	Shimano R8100 Ultegra 12s 11-34T
<b>CHAIN</b>	Shimano CN-M6100 12s
<b>CRANKSET</b>	Shimano Ultegra R8100 52/36T 12v 172.5-175mm
<b>TYRES</b>	Vittoria Rubino Pro 25-622 Fold Brown
<b>SADDLE</b>	Selle Italia Aspide Short Open-fit
<b>SEAT POST</b>	WRC Cloud
<b>HANDLEBAR</b>	WRC Carbon cockpit
<b>STEM</b>	WRC Carbon cockpit
<b>HEADSET</b>	WRC 1,5 ACR
<b>SIZES</b>	47/50/53/56/59
<b>WHEELS</b>	WRC carbon 42mm Disc



	XS 47	SM 50	MD 53	LA 56	XL 59
<b>ST (mm)</b>	450	480	510	540	570
<b>TT (mm)</b>	515	533	545,8	567	582
<b>HT (mm)</b>	120	138	157	172,6	195
<b>RC (mm)</b>	415	415	415	415	415
<b>BB (mm)</b>	75	75	73	73	73
<b>WB (mm)</b>	986,1	987,8	998,6	998,4	1012,9
<b>REACH (mm)</b>	370,8	374,2	380,8	385	392,9
<b>STACK (mm)</b>	532,8	553,1	571,2	589,3	610,6
<b>Ha (°)</b>	71,5°	72°	72,5°	72,5°	73,5°
<b>Sa (°)</b>	74,8°	74,3°	73,9°	73,5°	73°

---

# CLOUD 105 DI2

---

## ROAD

---

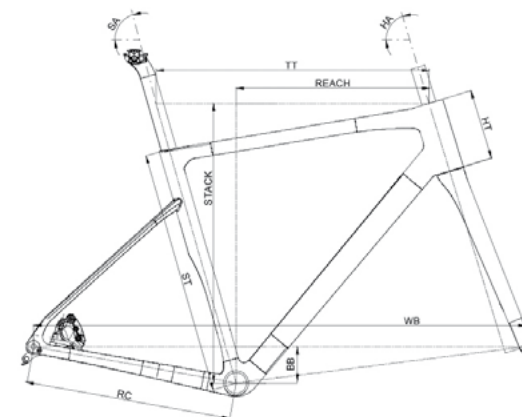
**CONOR**  
**WRC**  
WORLD RACE CONOR



COLOR



<b>CODE</b>	.330221
<b>FRAME</b>	Carbon UD Toray 30T/T800 WRC Aero Cloud Disc 12X142mm
<b>FORK</b>	Carbon Road WRC Cloud, asymmetric head tube, 12X100mm
<b>SHIFTERS</b>	Shimano 105 Di2 12S R7170
<b>BRAKES</b>	Shimano 105 R7170
<b>REAR DERAILLEUR</b>	Shimano 105 Di2 R7150 12S
<b>FRONT DERAILLEUR</b>	Shimano 105 Di2 R7150
<b>CASSETTE</b>	Shimano 105 R7100 12a 11/34T
<b>CHAIN</b>	Shimano M6100 12s
<b>CRANKSET</b>	Shimano 105 R7100 50/34T 172,5-175mm
<b>TYRES</b>	Vittoria Rubino Pro 25-622 Rigid
<b>SADDLE</b>	Selle Italia Aspide Short Open-fit
<b>SEAT POST</b>	WRC Cloud
<b>HANDLEBAR</b>	WRC Carbon cockpit
<b>STEM</b>	WRC Carbon cockpit
<b>HEADSET</b>	WRC 1,5 ACR
<b>SIZES</b>	49, 52, 54, 56, 58
<b>WHEELS</b>	WRC carbon 42mm Disc



	XS	SM	MD	LA	XL
<b>ST (mm)</b>	440	465	485	505	525
<b>TT (mm)</b>	508	530	540	562	577
<b>HT (mm)</b>	115	125	145	165	190
<b>RC (mm)</b>	405	405	405	405	405
<b>BB (mm)</b>	72	72	72	72	72
<b>WB (mm)</b>	967	969	975	987	1002
<b>REACH (mm)</b>	372	378	382	393	401
<b>STACK (mm)</b>	522	532	552	572	597
<b>Ha (°)</b>	72°	72,5°	73°	73,5°	73,5°
<b>Sa (°)</b>	75°	74°	74°	73,5°	73,5°

---

# CLOUD 105 DI2

---

## ROAD

---

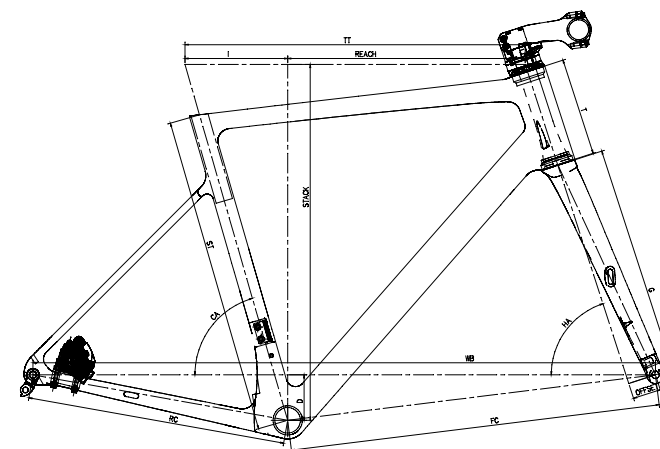
**CONOR**  
**WRC**  
WORLD RACE CONOR

\*Photo not available. The final result may vary from the image.



COLOR

<b>CODE</b>	.430221
<b>FRAME</b>	Carbon UD Toray 30T/T800 WRC Aero Cloud Disc 12X142mm
<b>FORK</b>	Carbon Road WRC Cloud, asymmetric head tube, 12X100mm
<b>SHIFTERS</b>	Shimano Dura Ace Di2 Disc. 9270
<b>BRAKES</b>	Shimano Dura Ace R9270
<b>REAR DERAILLEUR</b>	Shimano Dura Ace Di2 9250 12s
<b>FRONT DERAILLEUR</b>	Shimano Dura Ace Di2 9250
<b>CASSETTE</b>	Shimano R8100 Ultegra 12s 11-34T
<b>CHAIN</b>	Shimano CN-M6100 12s
<b>CRANKSET</b>	Shimano Dura Ace R9200P 52/36T 172,5-175mm
<b>TYRES</b>	Vittoria Rubino Pro 25-622 Fold Brown
<b>SADDLE</b>	Selle Italia Aspide Short Open-fit
<b>SEAT POST</b>	WRC Cloud
<b>HANDLEBAR</b>	WRC Carbon
<b>STEM</b>	WRC Alloy Internal routing
<b>HEADSET</b>	WRC 1,5 ACR
<b>SIZES</b>	47/50/53/56/59
<b>WHEELS</b>	WRC carbon 42mm Disc



	XS 47	SM 50	MD 53	LA 56	XL 59
<b>ST (mm)</b>	450	480	510	540	570
<b>TT (mm)</b>	515	533	545,8	567	582
<b>HT (mm)</b>	120	138	157	172,6	195
<b>RC (mm)</b>	415	415	415	415	415
<b>BB (mm)</b>	75	75	73	73	73
<b>WB (mm)</b>	986,1	987,8	998,6	998,4	1012,9
<b>REACH (mm)</b>	370,8	374,2	380,8	385	392,9
<b>STACK (mm)</b>	532,8	553,1	571,2	589,3	610,6
<b>Ha (°)</b>	71,5°	72°	72,5°	72,5°	73,5°
<b>Sa (°)</b>	74,8°	74,3°	73,9°	73,5°	73°

# CLOUD RIVAL AXS ROAD

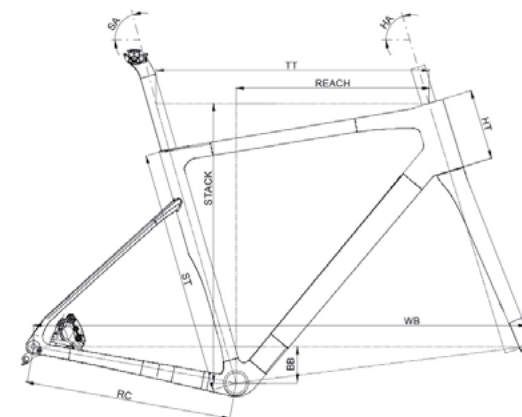
**CONOR**  
**WRC**  
WORLD RACE CONOR



COLOR



<b>CODE</b>	.330220
<b>FRAME</b>	Carbon UD Toray 30T/T800 WRC Aero Cloud Disc 12X142mm
<b>FORK</b>	Carbon Road WRC Cloud, asymmetric head tube, 12X100mm
<b>SHIFTERS</b>	Rival Etap AXS D1 F900/R1700
<b>BRAKES</b>	Sram Rival
<b>REAR DERAILLEUR</b>	Rival Etap AXS D1 MAX 36T
<b>FRONT DERAILLEUR</b>	Rival Etap AXS D1
<b>CASSETTE</b>	XG 1250 10/30T
<b>CHAIN</b>	RIVAL D1 12s
<b>CRANKSET</b>	Sram Rival 48-35T w/power meter
<b>TYRES</b>	Vittoria Rubino 25-622 Rigid
<b>SADDLE</b>	Selle Italia Aspide Short Open-fit
<b>SEAT POST</b>	WRC Cloud
<b>HANDLEBAR</b>	WRC Carbon cockpit
<b>STEM</b>	WRC Carbon cockpit
<b>HEADSET</b>	WRC 1,5 ACR
<b>SIZES</b>	49, 52, 54, 56, 58
<b>WHEELS</b>	WRC carbon 42mm Disc



	XS	SM	MD	LA	XL
<b>ST (mm)</b>	440	465	485	505	525
<b>TT (mm)</b>	508	530	540	562	577
<b>HT (mm)</b>	115	125	145	165	190
<b>RC (mm)</b>	405	405	405	405	405
<b>BB (mm)</b>	72	72	72	72	72
<b>WB (mm)</b>	967	969	975	987	1002
<b>REACH (mm)</b>	372	378	382	393	401
<b>STACK (mm)</b>	522	532	552	572	597
<b>Ha (°)</b>	72°	72,5°	73°	73,5°	73,5°
<b>Sa (°)</b>	75°	74°	74°	73,5°	73,5°

# CLOUD RIVAL AXS ROAD

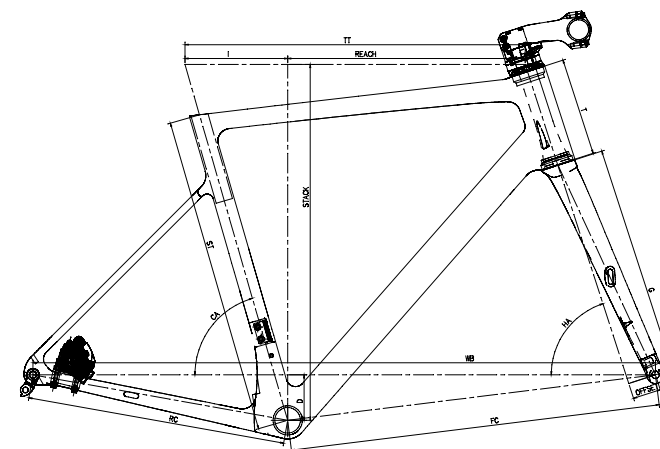


\*Photo not available. The final result may vary from the image.



COLOR

<b>CODE</b>	.430220
<b>FRAME</b>	Carbon UD Toray 30T/T800 WRC Aero Cloud Disc 12X142mm
<b>FORK</b>	Carbon Road WRC Cloud, asymmetric head tube, 12X100mm
<b>SHIFTERS</b>	Rival Etap AXS D1 F900/R1700
<b>BRAKES</b>	Sram Rival
<b>REAR DERAILLEUR</b>	Rival Etap AXS D1 MAX 36T
<b>FRONT DERAILLEUR</b>	Rival Etap AXS D1
<b>CASSETTE</b>	XG 1250 10/30T
<b>CHAIN</b>	RIVAL D1 12s
<b>CRANKSET</b>	Sram Rival 48-35T w/power meter
<b>TYRES</b>	Vittoria Rubino 25-622 Rigid
<b>SADDLE</b>	Selle Italia Aspide Short Open-fit
<b>SEAT POST</b>	WRC Cloud
<b>HANDLEBAR</b>	WRC Carbon
<b>STEM</b>	WRC Alloy internal routing
<b>HEADSET</b>	WRC 1,5 ACR
<b>SIZES</b>	47/50/53/56/59
<b>WHEELS</b>	WRC carbon 42mm Disc



	XS 47	SM 50	MD 53	LA 56	XL 59
<b>ST (mm)</b>	450	480	510	540	570
<b>TT (mm)</b>	515	533	545,8	567	582
<b>HT (mm)</b>	120	138	157	172,6	195
<b>RC (mm)</b>	415	415	415	415	415
<b>BB (mm)</b>	75	75	73	73	73
<b>WB (mm)</b>	986,1	987,8	998,6	998,4	1012,9
<b>REACH (mm)</b>	370,8	374,2	380,8	385	392,9
<b>STACK (mm)</b>	532,8	553,1	571,2	589,3	610,6
<b>Ha (°)</b>	71,5°	72°	72,5°	72,5°	73,5°
<b>Sa (°)</b>	74,8°	74,3°	73,9°	73,5°	73°

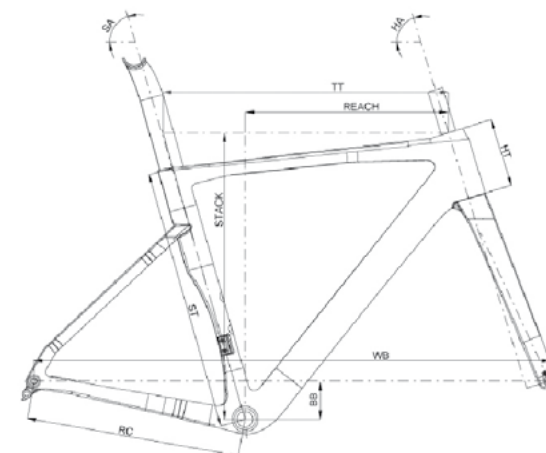
# VOLCANO ULTEGRA DI2 ROAD



COLOR



<b>CODE</b>	.230240
<b>FRAME</b>	Carbon UD Toray 30T/T800 WRC Aero Volcano Disc 12x142mm
<b>FORK</b>	Carbon Road WRC Volcano, asymmetric head tube, 12X100mm
<b>SHIFTERS</b>	Shimano Ultegra Disc Di2 R8170
<b>BRAKES</b>	Shimano Ultegra Disc Di2 R8170
<b>REAR DERAILLEUR</b>	Shimano Ultegra Di2 R8150 12s
<b>FRONT DERAILLEUR</b>	Shimano Ultegra Di2 R8150
<b>CASSETTE</b>	Shimano R8100 Ultegra 12s 11-34T
<b>CHAIN</b>	Shimano 12s
<b>CRANKSET</b>	Shimano Ultegra R8100 52/36T 12s 172,5mm - o / 175mm
<b>TYRES</b>	Vittoria Rubino Pro 25-622 Fold Brown
<b>SADDLE</b>	Selle Italia Aspide Short Open-fit
<b>SEAT POST</b>	WRC Volcano
<b>HANDLEBAR</b>	WRC Carbon cockpit
<b>STEM</b>	WRC Carbon cockpit
<b>HEADSET</b>	WRC 1,5 ACR
<b>SIZES</b>	49, 52, 54, 56, 58
<b>WHEELS</b>	WRC carbon 42mm Disc
<b>WHEELS OPTION</b>	WRC carbon 60mm Disc



	XS 48	SM 51	MD 54	LA 57	XL 60
<b>ST (mm)</b>	460	480	495	520	540
<b>TT (mm)</b>	510	531	541	562	577
<b>HT (mm)</b>	105	115	135	155	180
<b>RC (mm)</b>	406	406	406	406	406
<b>BB (mm)</b>	72	72	72	72	72
<b>WB (mm)</b>	968	970	976	987	1002
<b>REACH (mm)</b>	373	380	384	394	403
<b>STACK (mm)</b>	515	527	547	568	592
<b>Ha (°)</b>	71,5°	72,5°	73°	73,5°	73,5°
<b>Sa (°)</b>	75°	74°	74°	73,5°	73,5°

# **VOLCANO ULTEGRA DI2**

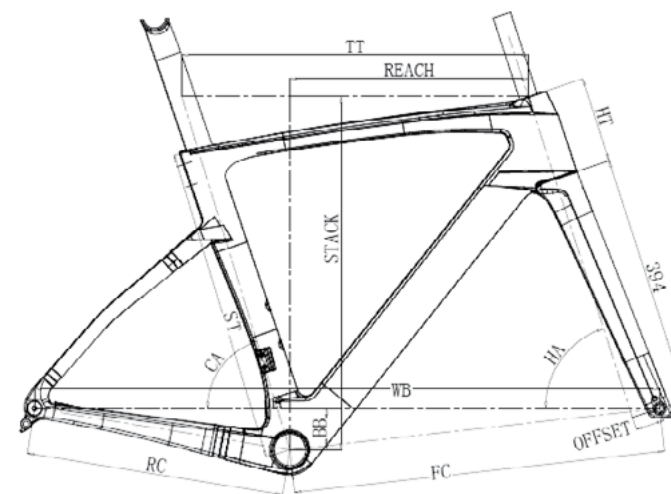
## **ROAD**

**CONOR**  
**WRC**  
WORLD RACE CONOR



COLOR

<b>CODE</b>	.430240
<b>FRAME</b>	Carbon UD Toray 30T/T800 WRC Aero Volcano Disc 12x142mm
<b>FORK</b>	Carbon Road WRC Volcano, asymmetric head tube, 12X100mm
<b>SHIFTERS</b>	Shimano Ultegra Disc Di2 R8170
<b>BRAKES</b>	Shimano Ultegra Disc Di2 R8170
<b>REAR DERAILLEUR</b>	Shimano Ultegra Di2 R8150 12s
<b>FRONT DERAILLEUR</b>	Shimano Ultegra Di2 R8150
<b>CASSETTE</b>	Shimano R8100 Ultegra 12s 11-34T
<b>CHAIN</b>	Shimano 12s
<b>CRANKSET</b>	Shimano Ultegra R8100 52/36T 12s 172,5mm - o / 175mm
<b>TYRES</b>	Vittoria Rubino Pro 25-622 Fold Brown
<b>SADDLE</b>	Selle Italia Aspide Short Open-fit
<b>SEAT POST</b>	WRC Volcano
<b>HANDLEBAR</b>	WRC Carbon cockpit
<b>STEM</b>	WRC Carbon cockpit
<b>HEADSET</b>	WRC 1,5 ACR
<b>SIZES</b>	49, 52, 54, 56, 58
<b>WHEELS</b>	WRC carbon 42mm Disc
<b>WHEELS OPTION</b>	WRC carbon 60mm Disc



	XS 49	SM 52	MD 54	LA 56	XL 58
<b>ST (mm)</b>	460	480	495	520	540
<b>TT (mm)</b>	513	532	544	563	588
<b>HT (mm)</b>	105	115	135	155	180
<b>RC (mm)</b>	406	406	406	410	410
<b>BB (mm)</b>	65	65	65	65	65
<b>WB (mm)</b>	974	974	985	995	1014
<b>REACH (mm)</b>	364	369	374	382	394
<b>STACK (mm)</b>	520	533	554	575	599
<b>Ha (°)</b>	70,5°	71,5°	72°	72,5°	72,5°
<b>Sa (°)</b>	74°	73°	73°	72,5°	72°

# VOLCANO 105 DI2

## ROAD

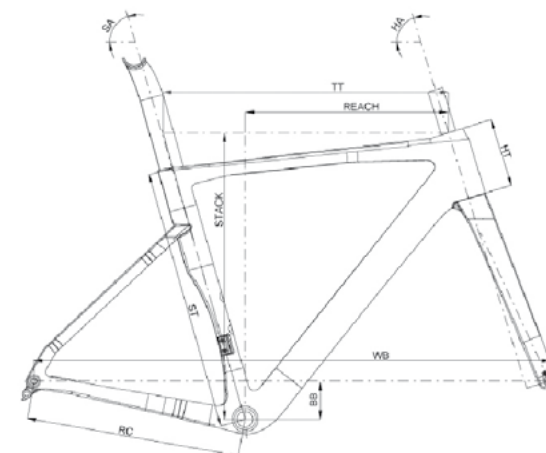
**CONOR**  
**WRC**  
WORLD RACE CONOR



COLOR



<b>CODE</b>	.330244
<b>FRAME</b>	Carbon UD Toray 30T/T800 WRC Aero Volcano Disc 12X142mm
<b>FORK</b>	Carbon Road WRC Volcano, asymmetric head tube, 12x100mm
<b>SHIFTERS</b>	Shimano 105 Di2 12S R7170
<b>BRAKES</b>	Shimano 105 R7170
<b>REAR DERAILLEUR</b>	Shimano 105 Di2 R7150 12S
<b>FRONT DERAILLEUR</b>	Shimano 105 Di2 R7150
<b>CASSETTE</b>	Shimano 105 R7100 12s 11/34T
<b>CHAIN</b>	Shimano 12s
<b>CRANKSET</b>	Shimano 105 R7100 50/34T 172,5-175mm
<b>TYRES</b>	Vittoria Rubino Pro 25-622 Vittoria Rubino Pro 25-622 Rigid
<b>SADDLE</b>	Selle Italia Aspide Short Open-fit
<b>SEAT POST</b>	WRC Volcano
<b>HANDLEBAR</b>	WRC Carbon cockpit
<b>STEM</b>	WRC Carbon cockpit
<b>HEADSET</b>	WRC 1,5 ACR
<b>SIZES</b>	49, 52, 54, 56, 58
<b>WHEELS</b>	WRC carbon 42mm Disc
<b>WHEELS OPTION</b>	WRC carbon 60mm Disc



	XS 48	SM 51	MD 54	LA 57	XL 60
<b>ST (mm)</b>	460	480	495	520	540
<b>TT (mm)</b>	510	531	541	562	577
<b>HT (mm)</b>	105	115	135	155	180
<b>RC (mm)</b>	406	406	406	406	406
<b>BB (mm)</b>	72	72	72	72	72
<b>WB (mm)</b>	968	970	976	987	1002
<b>REACH (mm)</b>	373	380	384	394	403
<b>STACK (mm)</b>	515	527	547	568	592
<b>Ha (°)</b>	71,5°	72,5°	73°	73,5°	73,5°
<b>Sa (°)</b>	75°	74°	74°	73,5°	73,5°

# VOLCANO 105 DI2

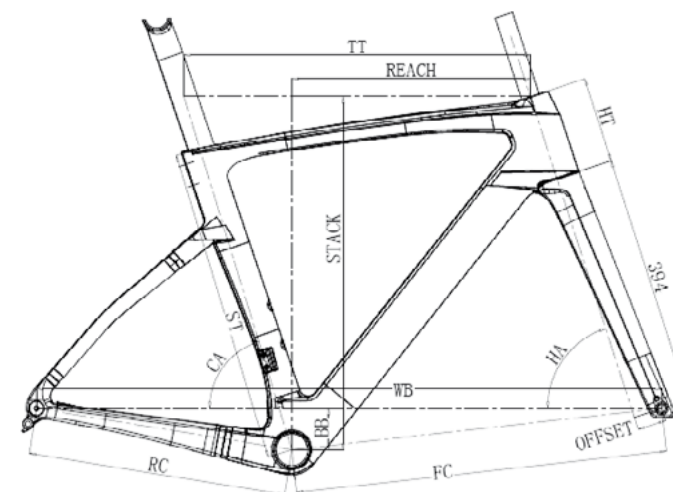
## ROAD

**CONOR**  
**WRC**  
WORLD RACE CONOR



COLOR

<b>CODE</b>	.430244
<b>FRAME</b>	Carbon UD Toray 30T/T800 WRC Aero Volcano Disc 12X142mm
<b>FORK</b>	Carbon Road WRC Volcano, tubo de dirección asimétrico, 12x100mm
<b>SHIFTERS</b>	Shimano 105 Di2 12S R7170
<b>BRAKES</b>	Shimano 105 R7170
<b>REAR DERAILLEUR</b>	Shimano 105 Di2 R7150 12S
<b>FRONT DERAILLEUR</b>	Shimano 105 Di2 R7150
<b>CASSETTE</b>	Shimano 105 R7100 12s 11/34T
<b>CHAIN</b>	Shimano 12s
<b>CRANKSET</b>	Shimano 105 R7100 50/34T 172,5-175mm
<b>TYRES</b>	Vittoria Rubino Pro 25-622 Vittoria Rubino Pro 25-622 Rigid
<b>SADDLE</b>	Selle Italia Aspide Short Open-fit
<b>SEAT POST</b>	WRC Volcano
<b>HANDLEBAR</b>	WRC Carbon
<b>STEM</b>	WRC Alloy internal routing
<b>HEADSET</b>	WRC 1,5 ACR
<b>SIZES</b>	49, 52, 54, 56, 58
<b>WHEELS</b>	WRC carbon 42mm Disc
<b>WHEELS OPTION</b>	WRC carbon 60mm Disc



	XS 49	SM 52	MD 54	LA 56	XL 58
<b>ST (mm)</b>	460	480	495	520	540
<b>TT (mm)</b>	513	532	544	563	588
<b>HT (mm)</b>	105	115	135	155	180
<b>RC (mm)</b>	406	406	406	410	410
<b>BB (mm)</b>	65	65	65	65	65
<b>WB (mm)</b>	974	974	985	995	1014
<b>REACH (mm)</b>	364	369	374	382	394
<b>STACK (mm)</b>	520	533	554	575	599
<b>Ha (°)</b>	70,5°	71,5°	72°	72,5°	72,5°
<b>Sa (°)</b>	74°	73°	73°	72,5°	72°

# VOLCANO RIVAL AXS ROAD

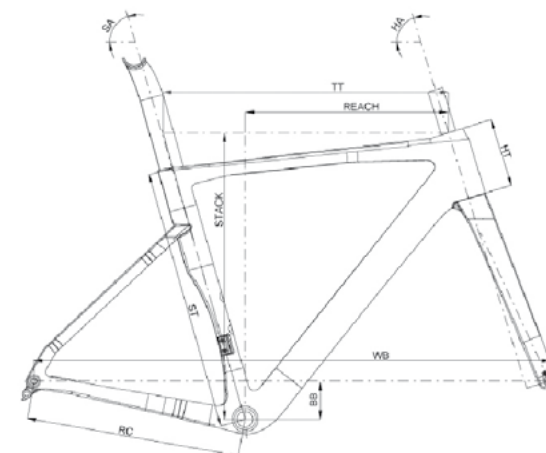
**CONOR**  
**WRC**  
WORLD RACE CONOR



COLOR



<b>CODE</b>	.230241
<b>FRAME</b>	Carbon UD Toray 30T/T800 WRC Aero Volcano Disc 12X142mm
<b>FORK</b>	Carbon Road WRC Volcano, asymmetric head tube, 12X100mm
<b>SHIFTERS</b>	Rival Etap AXS D1 F900/R1700
<b>BRAKES</b>	Sram Rival
<b>REAR DERAILLEUR</b>	Rival Etap AXS D1 MAX 36T
<b>FRONT DERAILLEUR</b>	Rival Etap AXS D1 MAX BRAZE
<b>CASSETTE</b>	XG 1250 10/30T
<b>CHAIN</b>	RIVAL D1 12s
<b>CRANKSET</b>	Sram Rival 48-35T power meter
<b>TYRES</b>	Vittoria Rubino Pro 25-622 Rigid
<b>SADDLE</b>	Selle Italia Aspide Short Open-fit
<b>SEAT POST</b>	WRC Volcano
<b>HANDLEBAR</b>	WRC Carbon cockpit
<b>STEM</b>	WRC Carbon cockpit
<b>HEADSET</b>	WRC 1,5 ACR
<b>SIZES</b>	49, 52, 54, 56, 58
<b>WHEELS</b>	WRC carbon 60mm Disc



	XS 48	SM 51	MD 54	LA 57	XL 60
<b>ST (mm)</b>	460	480	495	520	540
<b>TT (mm)</b>	510	531	541	562	577
<b>HT (mm)</b>	105	115	135	155	180
<b>RC (mm)</b>	406	406	406	406	406
<b>BB (mm)</b>	72	72	72	72	72
<b>WB (mm)</b>	968	970	976	987	1002
<b>REACH (mm)</b>	373	380	384	394	403
<b>STACK (mm)</b>	515	527	547	568	592
<b>Ha (°)</b>	71,5°	72,5°	73°	73,5°	73,5°
<b>Sa (°)</b>	75°	74°	74°	73,5°	73,5°

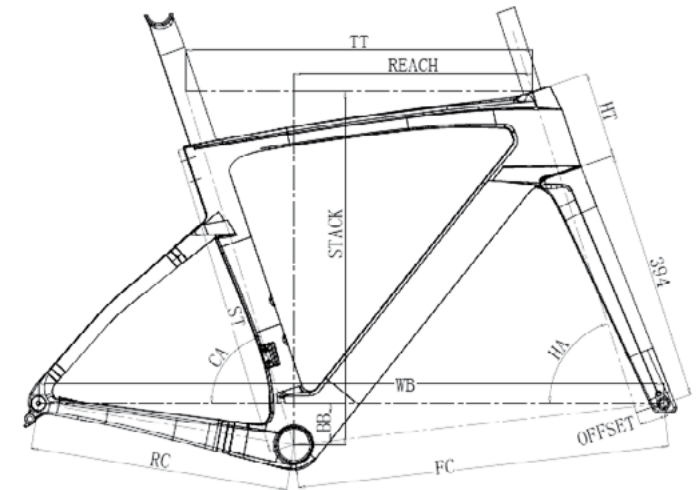
# VOLCANO RIVAL AXS ROAD

**CONOR**  
**WRC**  
WORLD RACE CONOR



COLOR

<b>CODE</b>	.430241
<b>FRAME</b>	Carbon UD Toray 30T/T800 WRC Aero Volcano Disc 12X142mm
<b>FORK</b>	Carbon Road WRC Volcano, asymmetric head tube, 12X100mm
<b>SHIFTERS</b>	Rival Etap AXS D1 F900/R1700
<b>BRAKES</b>	Sram Rival
<b>REAR DERAILLEUR</b>	Rival Etap AXS D1 MAX 36T
<b>FRONT DERAILLEUR</b>	Rival Etap AXS D1 MAX BRAZE
<b>CASSETTE</b>	XG 1250 10/30T
<b>CHAIN</b>	RIVAL D1 12s
<b>CRANKSET</b>	Sram Rival 48-35T power meter
<b>TYRES</b>	Vittoria Rubino Pro 25-622 Rigid
<b>SADDLE</b>	Selle Italia Aspide Short Open-fit
<b>SEAT POST</b>	WRC Volcano
<b>HANDLEBAR</b>	WRC Carbon
<b>STEM</b>	WRC alloy internal routing
<b>HEADSET</b>	WRC 1,5 ACR
<b>SIZES</b>	49, 52, 54, 56, 58
<b>WHEELS</b>	WRC carbon 42mm Disc



	XS 49	SM 52	MD 54	LA 56	XL 58
<b>ST (mm)</b>	460	480	495	520	540
<b>TT (mm)</b>	513	532	544	563	588
<b>HT (mm)</b>	105	115	135	155	180
<b>RC (mm)</b>	406	406	406	410	410
<b>BB (mm)</b>	65	65	65	65	65
<b>WB (mm)</b>	974	974	985	995	1014
<b>REACH (mm)</b>	364	369	374	382	394
<b>STACK (mm)</b>	520	533	554	575	599
<b>Ha (°)</b>	70,5°	71,5°	72°	72,5°	72,5°
<b>Sa (°)</b>	74°	73°	73°	72,5°	72°

# **BOLD ULTEGRA DI2**

## **ROAD**

**CONOR**  
**WRC**  
WORLD RACE CONOR

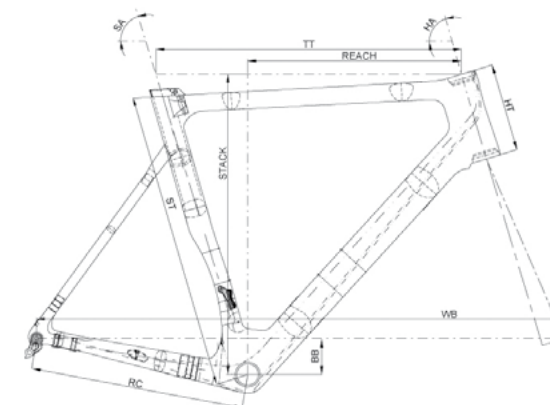


COLOR



## ULTEGRA DI2 12S

<b>CODE</b>	.230233 / .330233
<b>FRAME</b>	Carbon UD 24T/T700 Toray, 12x142mm
<b>FORK</b>	Carbon rigid fork, 12x100mm
<b>SHIFTERS</b>	Shimano Ultegra R8170
<b>BRAKES</b>	Shimano Ultegra R8170
<b>REAR DERAILEUR</b>	Shimano Ultegra R8150 12s
<b>FRONT DERAILEUR</b>	Shimano Ultegra R8150
<b>CASSETTE</b>	Shimano Ultegra R8100 12s 11-30T
<b>CHAIN</b>	Shimano Deore M6100 12s
<b>CRANKSET</b>	Shimano Ultegra R8100 12s 170mm 52x36T
<b>BATTERY</b>	BT-DN300
<b>TYRES</b>	700x25C Schwalbe Pro one
<b>SADDLE</b>	Fizik Antares
<b>SEAT POST</b>	WRC Carbon UD 33X350mm
<b>HANDLEBAR</b>	WRC Alloy 420x31,8mm
<b>STEM</b>	WRC Alloy JD-ST230A internal routing 31.8mm
<b>HEADSET</b>	FSA 1.5 internal routing
<b>WHEELS</b>	Mavic Ksyrium 30 disc F.12X100mm, R.12X142mm
<b>SIZES</b>	XS, SM, MD, LA, XL



	XS	SM	MD	LA	XL
<b>ST (mm)</b>	470	490	510	530	550
<b>TT (mm)</b>	525	531	549	565	577
<b>HT (mm)</b>	100	110	130	146	167
<b>RC (mm)</b>	405	405	405	405	405
<b>BB (mm)</b>	68	68	68	68	68
<b>WB (mm)</b>	957	964	975	986	998
<b>REACH (mm)</b>	372	375	387	398	403
<b>STACK (mm)</b>	500	509	531	548	568
<b>Ha (°)</b>	72°	72°	72,75°	73,3°	73,3°
<b>Sa (°)</b>	73°	73°	73°	73°	73°

---

# BOLD 105 DI2

---

## ROAD

---

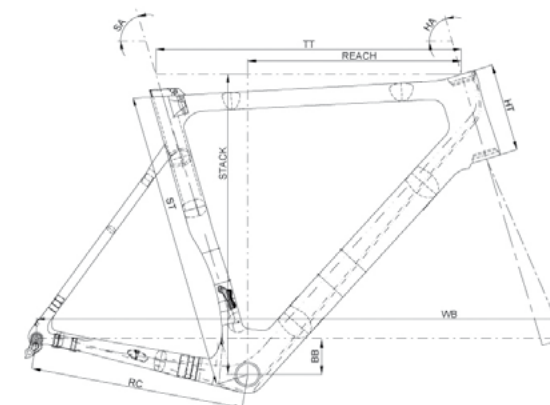


\*Photo not available. The final result may vary from the image.



COLOR

<b>CODE</b>	.330236
<b>FRAME</b>	Carbon UD 24T/T700 Toray, 12x142mm
<b>FORK</b>	Carbon rigid fork, 12x100mm
<b>SHIFTERS</b>	Shimano 105 R7020
<b>BRAKES</b>	Shimano 105 R7070
<b>REAR DERAILLEUR</b>	Shimano 105 R7000 11s
<b>FRONT DERAILLEUR</b>	Shimano 105 R7000
<b>CASSETTE</b>	Shimano R7000 11s 11/30T
<b>CHAIN</b>	KMC X11e 11s
<b>CRANKSET</b>	Shimano RS510 50/34T 172,5mm
<b>TYRES</b>	700X25C Schwalbe Lugano / 700X28C Continental ultra sport
<b>SADDLE</b>	Selle royal Vivo /Selle Italia Model X Superflow
<b>SEAT POST</b>	WRC Carbon UD 33X350mm
<b>HANDLEBAR</b>	WRC Alloy 420x31,8mm
<b>STEM</b>	WRC Alloy JD-ST230A internal routing 31.8mm
<b>HEADSET</b>	FSA 1.5 internal routing
<b>FRONT HUB</b>	Shimano RS470 32h, 12X100mm
<b>REAR HUB</b>	Shimano RS470 32h, 12X142mm
<b>RIM</b>	Alloy double wall
<b>SIZES</b>	XS, SM, MD, LA, XL



	XS	SM	MD	LA	XL
<b>ST (mm)</b>	470	490	510	530	550
<b>TT (mm)</b>	525	531	549	565	577
<b>HT (mm)</b>	100	110	130	146	167
<b>RC (mm)</b>	405	405	405	405	405
<b>BB (mm)</b>	68	68	68	68	68
<b>WB (mm)</b>	957	964	975	986	998
<b>REACH (mm)</b>	372	375	387	398	403
<b>STACK (mm)</b>	500	509	531	548	568
<b>Ha (°)</b>	72°	72°	72,75°	73,3°	73,3°
<b>Sa (°)</b>	73°	73°	73°	73°	73°

---

# RUSH 105 DI2

---

## ROAD

---

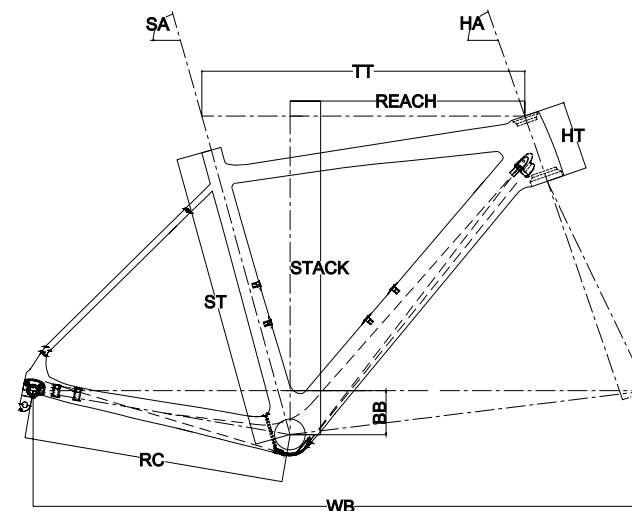
**CONOR**  
**WRC**  
WORLD RACE CONOR



COLOR



<b>CODE</b>	.330230
<b>FRAME</b>	Carbon UD 24T/T700 Toray, 12x142mm
<b>FORK</b>	Carbon rigid fork, 12x100mm
<b>SHIFTERS</b>	Shimano 105 Di2 R7170 12S
<b>BRAKES</b>	Shimano 105 R7170
<b>REAR DERAILEUR</b>	Shimano 105 Di2 R7150 12S
<b>FRONT DERAILEUR</b>	Shimano 105 Di2 R7150
<b>CASSETTE</b>	Shimano 105 R7100 12v 11/34T
<b>CHAIN</b>	Shimano CN-M6100 12s
<b>CRANKSET</b>	Shimano RS520 50/34T 172,5mm
<b>TYRES</b>	700Cx25C Continental
<b>SADDLE</b>	Selle Italia Model X Superflow
<b>SEAT POST</b>	WRC Alloy 27,2x350mm
<b>HANDLEBAR</b>	WRC Alloy 420x31,8mm
<b>STEM</b>	WRC Alloy 31.8mm
<b>HEADSET</b>	FSA Tapered
<b>WHEEL SET</b>	Shimano RS171 700C, 28h, F.12x100mm, R.12x142mm
<b>SIZES</b>	XS,SM, MD, LA, XL



	XS	SM	MD	LA	XL
<b>ST (mm)</b>	470	500	530	550	570
<b>TT (mm)</b>	515	523	544	555	575
<b>HT (mm)</b>	110	120	140	165	175
<b>RC (mm)</b>	415	415	415	417	417
<b>BB (mm)</b>	70	70	70	70	70
<b>WB (mm)</b>	979	985	966	997	1003
<b>REACH (mm)</b>	374	380	383	390	396
<b>STACK (mm)</b>	507	519	542	557	575
<b>Ha (°)</b>	71°	71,5°	72,5°	72,8°	73,7°
<b>Sa (°)</b>	74,5°	74,5°	73,5°	73,5°	73°

---

# RUSH 105

---

## ROAD

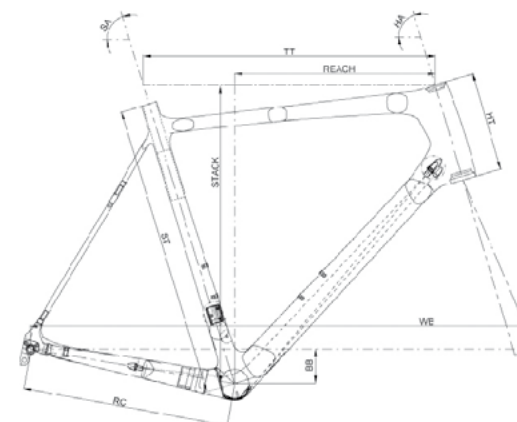
---

**CONOR**  
**WRE**  
WORLD RACE CONOR



COLOR

<b>CODE</b>	.230231 / .330231
<b>FRAME</b>	Carbon UD 24T/T700 Toray, 12x142mm
<b>FORK</b>	Carbon rigid fork, 12x100mm
<b>SHIFTERS</b>	Shimano 105 R7020
<b>BRAKES</b>	Shimano 105 R7070
<b>REAR DERAILLEUR</b>	Shimano 105 R7000 11s
<b>FRONT DERAILLEUR</b>	Shimano 105 R7000
<b>CASSETTE</b>	Shimano R7000 11s 11/30T
<b>CHAIN</b>	KMC X11 11s
<b>CRANKSET</b>	Shimano RS510 50/34T 170mm
<b>TYRES</b>	700X25C Schwalbe Lugano / Continental ultra sport
<b>SADDLE</b>	Selle royal Vivo /Selle Italia Model X Superflow
<b>SEAT POST</b>	WRC Alloy 27,2x350mm
<b>HANDLEBAR</b>	WRC Alloy 420x31,8mm
<b>STEM</b>	WRC Alloy 31.8mm
<b>HEADSET</b>	FSA Tapered
<b>FRONT HUB</b>	Shimano RS470 32h, 12X100mm
<b>REAR HUB</b>	Shimano RS470 32h, 12X142mm
<b>RIM</b>	Alloy double wall
<b>SIZES</b>	XS, SM, MD, LA, XL



	XS 47	SM 50	MD 53	LA 55	XL 57
<b>ST (mm)</b>	470	500	530	550	570
<b>TT (mm)</b>	515	523	544	555	575
<b>HT (mm)</b>	110	120	140	165	175
<b>RC (mm)</b>	415	415	415	417	417
<b>BB (mm)</b>	70	70	70	70	70
<b>WB (mm)</b>	979	985	966	997	1003
<b>REACH (mm)</b>	374	380	383	390	396
<b>STACK (mm)</b>	507	519	542	557	575
<b>Ha (°)</b>	71°	71,5°	72,5°	72,8°	73,7°
<b>Sa (°)</b>	74,5°	74,5°	73,5°	73,5°	73°

---

# SPIRIT 105

---

## ROAD

---

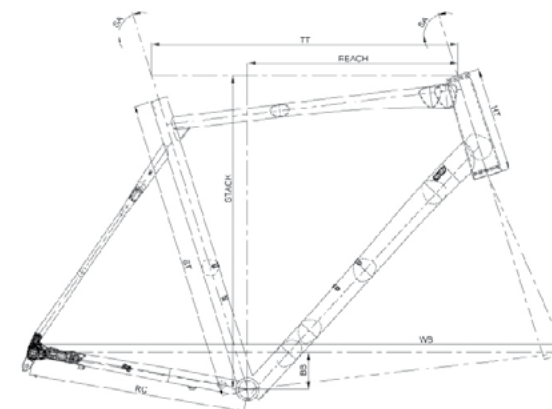
**CONOR**  
**WRE**  
WORLD RACE CONOR



COLOR



<b>CODE</b>	.330420
<b>FRAME</b>	Alloy 6061, hydroformed, tapered, 12x142mm
<b>FORK</b>	Carbon rigid fork, 12x100mm
<b>SHIFTERS</b>	Shimano 105 R7020
<b>BRAKES</b>	Shimano 105 R7070
<b>REAR DERAILLEUR</b>	Shimano 105 R7000 11s
<b>FRONT DERAILLEUR</b>	Shimano 105 R7000
<b>CASSETTE</b>	Shimano R7000 11s 11/30T
<b>CHAIN</b>	KMC X11e
<b>CRANKSET</b>	Shimano RS510 50/34T 172,5mm
<b>TYRES</b>	700X28C Schwalbe Lugano / Continental ultra sport
<b>SADDLE</b>	Selle Royal Vivo
<b>SEAT POST</b>	WRC Alloy 27,2x300mm
<b>HANDLEBAR</b>	WRC Alloy 400x31,8mm
<b>STEM</b>	WRC Alloy 31,8mm
<b>HEADSET</b>	FSA Tapered
<b>FRONT HUB</b>	Shimano RS470 32h, 12X100mm
<b>REAR HUB</b>	Shimano RS470 32h, 12X142mm
<b>RIM</b>	Alloy double wall
<b>SIZES</b>	XS, SM, MD, LA, XL



	XS 47.5	SM 52	MD 54	LA 56	XL 58
<b>ST (mm)</b>	475	520	540	560	580
<b>TT (mm)</b>	545	550	555	570	585
<b>HT (mm)</b>	120	140	160	180	200
<b>RC (mm)</b>	415	415	415	415	415
<b>BB (mm)</b>	70	70	70	70	70
<b>WB (mm)</b>	1001	1002	998	1013	1018
<b>REACH (mm)</b>	400	395	389	398	402
<b>STACK (mm)</b>	520	539	560	579	600
<b>Ha (°)</b>	72°	72°	72,5°	72,5°	73°
<b>Sa (°)</b>	74,5°	74°	73,5°	73,5°	73°







# ***SELVA RIVAL AXS***

---

## ***GRAVEL***

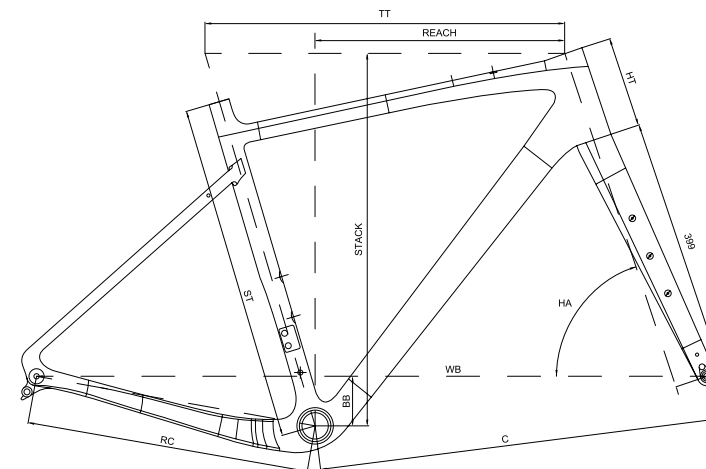
---

**CONOR**  
**WRC**  
WORLD RACE CONOR

COLOR



<b>CODE</b>	.330436
<b>FRAME</b>	Carbon UD Toray 30T/T800 WRC Selva Disc 12X142mm
<b>FORK</b>	Carbon gravel WRC 12X100mm
<b>SHIFTERS</b>	Sram Rival Xplr Etap AXS
<b>BRAKES</b>	Sram Rival
<b>REAR DERAILLEUR</b>	Sram Rival Xplr Etap AXS
<b>CASSETTE</b>	Sram XG 1251 D1 Xplr 10-44T
<b>CHAIN</b>	Sram Rival 12S 120L
<b>CRANKSET</b>	Sram Rival AXS 175mm 40T w/power meter
<b>TYRES</b>	700x47 Vittoria Gravel 47-622 G2.0
<b>SADDLE</b>	Selle Italia Model Y
<b>SEAT POST</b>	Carbon Gravel 27,2mm
<b>HANDLEBAR</b>	Carbon Gravel WRC Selva 420/440mm
<b>STEM</b>	Carbon Gravel WRC Selva
<b>HEADSET</b>	A-head integrated Selva
<b>WHEELS</b>	WRC Carbon, Gravel Disc, 40mm
<b>SIZES</b>	XS, SM, MD, LA, XL



	XS	SM	MD	LA	XL
<b>ST (mm)</b>	470	500	520	540	560
<b>TT (mm)</b>	515	535	553	567	580
<b>HT (mm)</b>	105	125	140	155	170
<b>RC (mm)</b>	435	435	435	435	435
<b>BB (mm)</b>	76	76	76	76	76
<b>WB (mm)</b>	1010	1022	1031	1040	1054
<b>REACH (mm)</b>	366	375	384	393	402
<b>STACK (mm)</b>	536	556	572	588	603
<b>Ha (°)</b>	70,5°	71°	71,5°	72°	72°
<b>Sa (°)</b>	74,5°	74°	73,5°	73,5°	73,5°



---

# ***EOLIAN GRX810***

---

## ***GRAVEL***

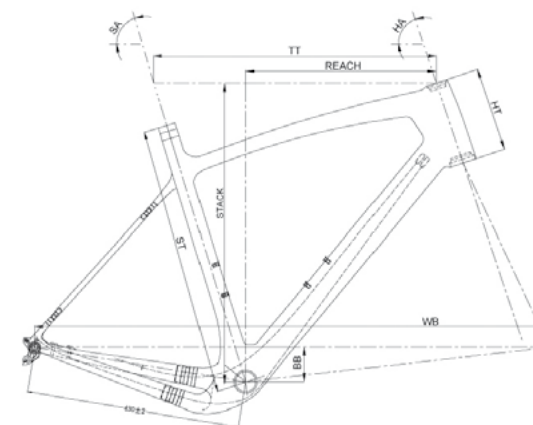
---

**CONOR**  
**WRE**  
WORLD RACE CONOR



COLOR

<b>CODE</b>	.230439 / .330439
<b>FRAME</b>	Carbon UD 24T/T700 Toray, 12x142mm
<b>FORK</b>	Carbon rigid fork, 12x100mm
<b>SHIFTERS</b>	Shimano RX810 11s
<b>BRAKES</b>	Shimano RX810
<b>REAR DERAILLEUR</b>	Shimano RX812 11s
<b>CASSETTE</b>	Sunrace MS7 11s 11-42T
<b>CHAIN</b>	KMC X11 11s
<b>CRANKSET</b>	Shimano RX810 172,5mm 42T
<b>TYRES</b>	700x45C WTB Riddler
<b>SADDLE</b>	Selle Royal Lift
<b>SEAT POST</b>	WRC Alloy 31,6x350mm
<b>HANDLEBAR</b>	WRC Alloy 420x31.8mm
<b>STEM</b>	WRC Alloy 31,8mm
<b>HEADSET</b>	FSA Tapered
<b>WHEELS</b>	Shimano RS171 700C, 28h, F.12x100mm, R.12x142mm
<b>SIZES</b>	SM, MD, LA



	SM 49	MD 51.5	LA 54
<b>ST (mm)</b>	490	515	540
<b>TT (mm)</b>	536	552	568
<b>HT (mm)</b>	130	150	170
<b>RC (mm)</b>	430	430	430
<b>BB (mm)</b>	70	70	70
<b>WB (mm)</b>	1018,8	1030,3	1036,8
<b>REACH (mm)</b>	370	375	384
<b>STACK (mm)</b>	560	579	602
<b>Ha (°)</b>	70,5°	70,5°	71,5°
<b>Sa (°)</b>	73,5°	73°	73°

---

# EOLIAN GRX600

---

## GRAVEL

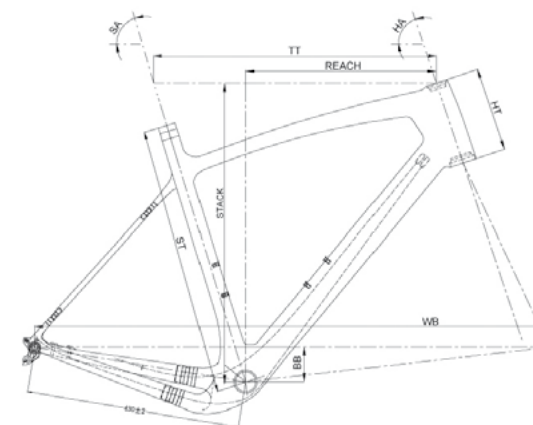
---

**CONOR**  
**WRE**  
WORLD RACE CONOR



COLOR

<b>CODE</b>	.230437 / .330437
<b>FRAME</b>	Carbon UD 24T/T700 Toray, 12x142mm
<b>FORK</b>	Carbon rigid fork, 12x100mm
<b>SHIFTERS</b>	Shimano RX600 11s
<b>BRAKES</b>	Shimano RX400
<b>REAR DERAILLEUR</b>	Shimano RX812 11s
<b>CASSETTE</b>	Shimano Deore M5100 11s 11/42T
<b>CHAIN</b>	KMC X11 11s
<b>CRANKSET</b>	Shimano RX600 11s 172.5mm 40T
<b>TYRES</b>	700x45C WTB Riddler
<b>SADDLE</b>	Selle Royal Lift
<b>SEAT POST</b>	WRC Alloy 31,6x350mm
<b>HANDLEBAR</b>	WRC Alloy 420x31.8mm
<b>STEM</b>	WRC Alloy 31,8mm
<b>HEADSET</b>	FSA Tapered
<b>FRONT HUB</b>	Alloy Formula RX512, 32h, 12x100mm
<b>REAR HUB</b>	Alloy Formula DHT142 32h, 12X142mm
<b>RIM</b>	Alloy double wall
<b>SIZES</b>	SM, MD, LA



	SM 49	MD 51.5	LA 54
<b>ST (mm)</b>	490	515	540
<b>TT (mm)</b>	536	552	568
<b>HT (mm)</b>	130	150	170
<b>RC (mm)</b>	430	430	430
<b>BB (mm)</b>	70	70	70
<b>WB (mm)</b>	1018,8	1030,3	1036,8
<b>REACH (mm)</b>	370	375	384
<b>STACK (mm)</b>	560	579	602
<b>Ha (°)</b>	70,5°	70,5°	71,5°
<b>Sa (°)</b>	73,5°	73°	73°



# KALIMA 2X 11S

---

## GRAVEL

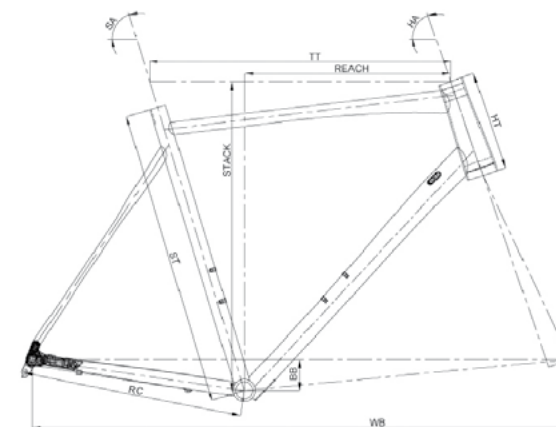
---

**CONOR**  
**WRC**  
WORLD RACE CONOR



COLOR

<b>CODE</b>	.230440 / .330440
<b>FRAME</b>	Alloy 6061, hydroformed, tapered, 12x142mm
<b>FORK</b>	Carbon rigid fork, 12x100mm
<b>SHIFTERS</b>	Shimano RX600 11s
<b>BRAKES</b>	Shimano RX400
<b>REAR DERAILLEUR</b>	Shimano RX810 11s
<b>FRONT DERAILLEUR</b>	Shimano RX810
<b>CASSETTE</b>	Shimano HG700 11s 11/34T
<b>CHAIN</b>	KMC X11 11s
<b>CRANKSET</b>	Shimano RX600 170mm 46/30T
<b>TYRES</b>	700x37C WTB Riddler
<b>SADDLE</b>	Selle Italia Model X Superflow
<b>SEAT POST</b>	WRC Alloy 27,2x350mm
<b>HANDLEBAR</b>	WRC Alloy 420x31,8mm
<b>STEM</b>	WRC Alloy 31,8mm
<b>HEADSET</b>	FSA Tapered
<b>FRONT HUB</b>	Alloy Formula RX512, 32h, 12x100mm
<b>REAR HUB</b>	Alloy Formula DHT142 32h, 12X142mm
<b>RIM</b>	Alloy double wall
<b>SIZES</b>	SM, MD, LA



	SM 48	MD 52	LA 55
<b>ST (mm)</b>	480	520	550
<b>TT (mm)</b>	555	560	575
<b>HT (mm)</b>	145	155	175
<b>RC (mm)</b>	420	420	420
<b>BB (mm)</b>	60	60	60
<b>WB (mm)</b>	1018,6	1024	1039,7
<b>REACH (mm)</b>	384	386	395
<b>STACK (mm)</b>	558	568	586,5
<b>Ha (°)</b>	71°	71°	71°
<b>Sa (°)</b>	73°	73°	73°

---

# KALIMA 11S

---

## GRAVEL

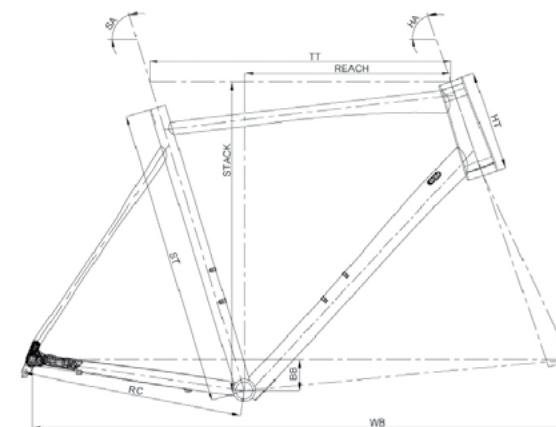
---

**CONOR**  
**WRC**  
WORLD RACE CONOR



COLOR

<b>CODE</b>	.330438
<b>FRAME</b>	Alloy 6061, hydroformed, tapered, 12x142mm
<b>FORK</b>	Carbon rigid fork, 12x100mm
<b>SHIFTERS</b>	Shimano RX600 11s
<b>BRAKES</b>	Shimano RX400
<b>REAR DERAILLEUR</b>	Shimano RX812 11s
<b>CASSETTE</b>	Shimano Deore M5100 11s 11/42T
<b>CHAIN</b>	KMC X11 11s
<b>CRANKSET</b>	Shimano RX600 11s 172,5mm 40T
<b>TYRES</b>	700x37C WTB Riddler
<b>SADDLE</b>	Selle Italia Model X Superflow
<b>SEAT POST</b>	WRC Alloy 27,2x350mm
<b>HANDLEBAR</b>	WRC Alloy 420x31,8mm
<b>STEM</b>	WRC Alloy 31,8mm
<b>HEADSET</b>	FSA Tapered
<b>FRONT HUB</b>	Alloy Formula RX512, 32h, 12x100mm
<b>REAR HUB</b>	Alloy Formula DHT142 32h, 12X142mm
<b>RIM</b>	Alloy double wall
<b>SIZES</b>	SM, MD, LA



	SM 48	MD 52	LA 55
<b>ST (mm)</b>	480	520	550
<b>TT (mm)</b>	555	560	575
<b>HT (mm)</b>	145	155	175
<b>RC (mm)</b>	420	420	420
<b>BB (mm)</b>	60	60	60
<b>WB (mm)</b>	1018,6	1024	1039,7
<b>REACH (mm)</b>	384	386	395
<b>STACK (mm)</b>	558	568	586,5
<b>Ha (°)</b>	71°	71°	71°
<b>Sa (°)</b>	73°	73°	73°



---

# BOREAL

---

# GRAVEL

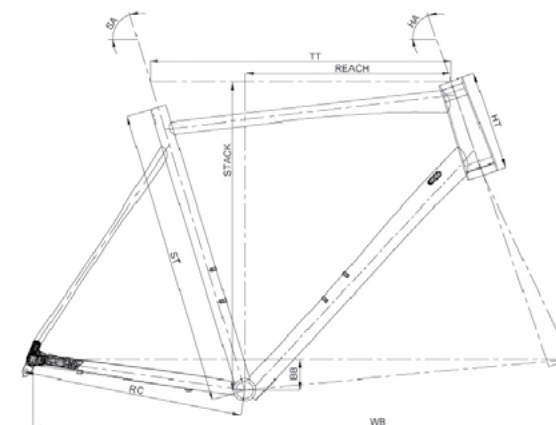
---

**CONOR**  
**WRC**  
WORLD RACE CONOR



COLOR

<b>CODE</b>	.230435 / .330435
<b>FRAME</b>	Alloy 6061, hydroformed, tapered
<b>FORK</b>	Alloy Rigid
<b>SHIFTERS</b>	Shimano RX400
<b>BRAKES</b>	Shimano RX400
<b>REAR DERAILLEUR</b>	Shimano RX400 10s
<b>CASSETTE</b>	Shimano HG500 10s 11/34T
<b>CHAIN</b>	KMC X10 10s
<b>CRANKSET</b>	Shimano RX600 175mm 46/30T
<b>TYRES</b>	700x37C WTB Riddler
<b>SADDLE</b>	Selle Royal Vivo
<b>SEAT POST</b>	WRC Alloy 27,2x350mm
<b>HANDLEBAR</b>	WRC Alloy 400x31,8mm
<b>STEM</b>	WRC Alloy 31,8mm
<b>HEADSET</b>	FSA Tapered
<b>FRONT HUB</b>	Shimano HB-M3050, Center lock disc 32h, OLD:100MM
<b>REAR HUB</b>	Shimano FH-M3050, Center lock disc 32h, OLD:135mm
<b>RIM</b>	Alloy double wall
<b>SIZES</b>	SM, MD, LA



	SM 48	MD 52	LA 55
<b>ST (mm)</b>	480	520	550
<b>TT (mm)</b>	555	560	575
<b>HT (mm)</b>	145	155	175
<b>RC (mm)</b>	420	420	420
<b>BB (mm)</b>	60	60	60
<b>WB (mm)</b>	1018,6	1024	1039,7
<b>REACH (mm)</b>	384	386	395
<b>STACK (mm)</b>	558	568	586,5
<b>Ha (°)</b>	71°	71°	71°
<b>Sa (°)</b>	73°	73°	73°







---

# DARK XT

---

# MTB

---

○ 29"

**CONOR**  
**WRC**  
WORLD RACE CONOR

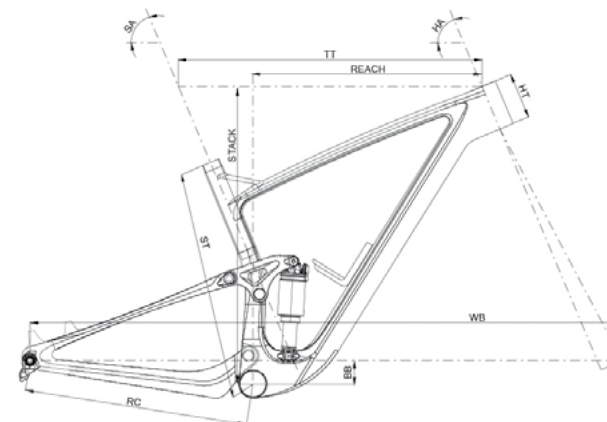
COLOR





**XT**

<b>CODE</b>	.310505
<b>FRAME</b>	29 Carbon UD Toray 30T/T800, WRC Dark, Boost 12X148mm, Tr.100mm
<b>FORK</b>	Rock shox Sid SL Select RL 29, Tr.100mm, Boost 15X110mm
<b>SHOCK</b>	Rock Shox Sid Luxe Select + 165X40 100mm
<b>SHIFTERS</b>	Shimano SLX M7100
<b>BRAKES</b>	Shimano disc XT M8100
<b>REAR DERAILEUR</b>	Shimano XT M8100 12s
<b>CASSETTE</b>	Shimano SLX M7100 12s 10/51T
<b>CHAIN</b>	Shimano Deore M-6100 12s
<b>CRANKSET</b>	Shimano XT M8100 175mm 34T
<b>TYRES</b>	29"x2,25 Vittoria Barzo XCR
<b>SADDLE</b>	Selle Italia Novus Boost EVO
<b>SEAT POST</b>	WRC Carbon 31,6mm
<b>HANDLEBAR</b>	WRC Carbon cockpit
<b>STEM</b>	WRC Carbon cockpit
<b>HEADSET</b>	A-head Integrated
<b>SIZES</b>	SM, MD, LA, XL
<b>WHEELS</b>	Mavic Crossmax CL Microspline
<b>WHEELS OPTION</b>	Mavic Crossmax XLS Microspline



	SM	MD	LA	XL
<b>ST (mm)</b>	415	440	490	540
<b>TT (mm)</b>	652	590	614	642
<b>HT (mm)</b>	90	90	105	115
<b>RC (mm)</b>	437,5	437,5	437,5	437,5
<b>BB (mm)</b>	45	45	45	45
<b>WB (mm)</b>	1125,2	1153,3	1187,2	1220,2
<b>REACH (mm)</b>	416,4	446,5	472,6	501,7
<b>STACK (mm)</b>	579,8	579,8	593,6	602,8
<b>Ha (°)</b>	67,2°	67,2°	67,2°	67,2°
<b>Sa (°)</b>	75,9°	76,1°	76,6°	76,9°

---

# THUNDER XT

---

## MTB

---

○ 29"

**CONOR**  
**WRE**  
WORLD RACE CONOR

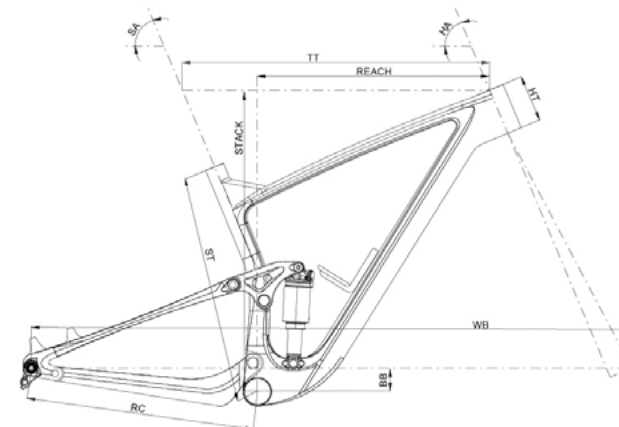


COLOR



**XT**

<b>CODE</b>	.310407
<b>FRAME</b>	29" Carbon UD Toray 30T/T800, WRC Thunder, Boost 12X148mm, Tr.120mm
<b>FORK</b>	Rock Shox Reba RL TR.120mm Boost 15X110mm
<b>FORK OPTION</b>	Rock Shox Sid Select Charger RL Tr.120mm Boost 15X110mm
<b>SHOCK</b>	Rock Shox Sid Luxe Select + 185X50 Tr.120mm
<b>SHIFTERS</b>	Shimano SLX M7100
<b>BRAKES</b>	Shimano disc XT M8120
<b>REAR DERAILLEUR</b>	Shimano XT M8100 12s
<b>CASSETTE</b>	Shimano SLX M7100 12s 10/51T
<b>CHAIN</b>	Shimano Deore M-6100 12s
<b>CRANKSET</b>	Shimano XT M8100 175mm 34T
<b>TYRES</b>	29"x2,25 Vittoria Barzo XCR
<b>SADDLE</b>	Selle Italia Novus Boost EVO
<b>SEAT POST</b>	Telescopic seat post, 31.6mm L:412mm, Tr.125mm, remote control.
<b>HANDLEBAR</b>	WRC Carbon cockpit
<b>STEM</b>	WRC Carbon cockpit
<b>HEADSET</b>	A-head Integrated
<b>WHEELS</b>	Mavic Crossmax XL MicroSpline
<b>WHEELS OPTION</b>	Mavic Crossmax XLS Microspline
<b>SIZES</b>	SM, MD, LA, XL



	SM	MD	LA	XL
<b>ST (mm)</b>	415	440	490	540
<b>TT (mm)</b>	565,9	593,9	617,8	645,8
<b>HT (mm)</b>	90	90	105	115
<b>RC (mm)</b>	437,5	437,5	437,5	437,5
<b>BB (mm)</b>	33,7	34,0	34,3	34,6
<b>WB (mm)</b>	1137,9	1168,1	1199,9	1232,9
<b>REACH (mm)</b>	401,2	431,7	457,8	487,2
<b>STACK (mm)</b>	590,4	590,8	605	614,6
<b>Ha (°)</b>	65,8°	65,8°	65,8°	65,8°
<b>Sa (°)</b>	74,4°	74,7°	75,2°	75,5°

---

# STORM

---

# MTB

---

○ 29"

\*The final result may vary from the image.

**CONOR**  
**WRC**  
WORLD RACE CONOR

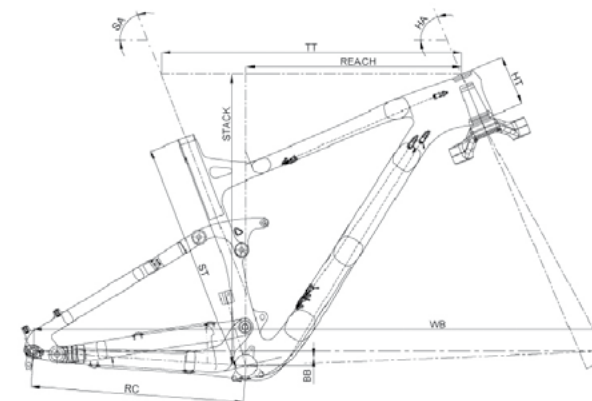


COLOR





<b>CODE</b>	.310325
<b>FRAME</b>	29" Carbon UD 24T/T700 Toray, tapered, Tr.140mm, 12x148mm
<b>FORK</b>	Rock Shox Recon Silver RL remote solo Air Tr.130mm 15x110mm
<b>SHOCK</b>	Rock Shox Monarch RL 200X51 solo Air
<b>SHIFTERS</b>	Shimano Deore M6100-R 12s
<b>BRAKES</b>	Shimano disc BL-MT401/BR-MT410
<b>REAR DERAILLEUR</b>	Shimano XT M8100 12s
<b>CASSETTE</b>	Shimano Deore M6100 12s 12-51t
<b>CHAIN</b>	Shimano Deore M6100 12s
<b>CRANKSET</b>	Shimano Deore M6120-1 12s 170MM 32t
<b>TYRES</b>	29"X2,20 H-5129 Victory black
<b>SADDLE</b>	Selle Royal Lift
<b>SEAT POST</b>	WRC Alloy 30,9x350mm
<b>HANDLEBAR</b>	WRC Alloy 760x31,8mm
<b>STEM</b>	WRC Alloy 31,8mm
<b>HEADSET</b>	FSA Tapered
<b>SIZES</b>	SM, MD, LA
<b>FRONT HUB</b>	Shimano MT400 32h 15X110mm
<b>REAR HUB</b>	Shimano MT410 32h 12X148mm
<b>RIM</b>	Alloy double wall



	SM	MD	LA
<b>ST (mm)</b>	394	453	498
<b>TT (mm)</b>	567	610	635
<b>HT (mm)</b>	86	96	106
<b>RC (mm)</b>	450	450	450
<b>BB (mm)</b>	30	30	30
<b>WB (mm)</b>	1161	1184	1208
<b>REACH (mm)</b>	417	435	456
<b>STACK (mm)</b>	597	606	615
<b>Ha (°)</b>	67°	67°	67°
<b>Sa (°)</b>	75.85°	74°	74°

---

# XTREM

---

# MTB

---

○ 29"

**CONOR**  
**WRC**  
WORLD RACE CONOR



GX sram



Deore XT

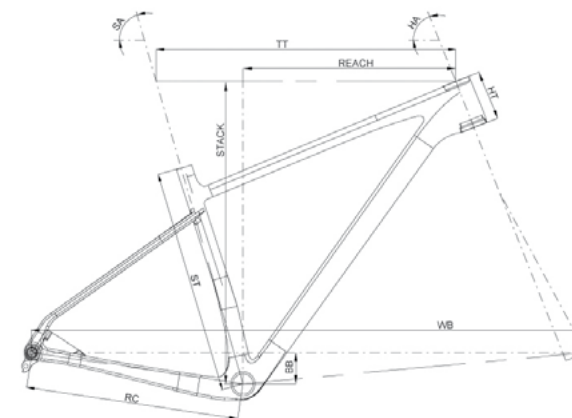
COLOR

**XT**

<b>CODE</b>	.210225
<b>FRAME</b>	29" Carbon UD Toray 30T/T800, WRC Xtrem, Boost 12X148mm
<b>FORK</b>	Rock Shox Reba Motion RL, Tr.100mm, Boost 15X110mm
<b>FORK OPTION</b>	Rock Shox Sid SL Select RL 29 Tr.100mm, Boost 15X110mm
<b>SHIFTERS</b>	Shimano SLX M7100
<b>BRAKES</b>	Shimano disc XT M8100
<b>REAR DERAILLEUR</b>	Shimano XT M8100 12s
<b>CASSETTE</b>	Shimano SLX M7100 12s 10/51T
<b>CHAIN</b>	Shimano Deore M-6100 12s
<b>CRANKSET</b>	Shimano Deore XT M8120
<b>TYRES</b>	29"x2,25 Vittoria Barzo XCR
<b>SADDLE</b>	Selle Italia Novus Boost EVO
<b>SEAT POST</b>	WRC Carbon 27,2mm
<b>HANDLEBAR</b>	WRC Carbon cockpit
<b>STEM</b>	WRC Carbon cockpit
<b>HEADSET</b>	A-head Integrated
<b>SIZES</b>	SM, MD, LA, XL
<b>WHEELS</b>	Mavic Crossmax CL Microspline
<b>WHEELS OPTION</b>	Mavic Crossmax XLS Microspline

**GX AXS**

<b>CODE</b>	.210222
<b>FRAME</b>	29" Carbon UD Toray 30T/T800, WRC Xtrem, Boost 12X148mm
<b>FORK</b>	Rock Shox Reba Motion RL, Tr.100mm, Boost 15X110mm
<b>FORK OPTION</b>	Rock Shox Sid SL Select RL 29 Tr.100mm, Boost 15X110mm
<b>SHIFTERS</b>	Sram GX AXS EAGLE
<b>BRAKES</b>	Shimano disc XT M8100
<b>REAR DERAILLEUR</b>	Sram GX AXS
<b>CASSETTE</b>	Sram XG 1295 10/52T
<b>CHAIN</b>	Sram GX Eagle
<b>CRANKSET</b>	Sram GX1 C Eagle 175mm 32T
<b>TYRES</b>	29"x2,25 Vittoria Barzo XCR
<b>SADDLE</b>	Selle Italia Novus Boost EVO
<b>SEAT POST</b>	WRC Carbon 27,2mm
<b>HANDLEBAR</b>	WRC Carbon cockpit
<b>STEM</b>	WRC Carbon cockpit
<b>HEADSET</b>	A-head Integrated
<b>SIZES</b>	SM, MD, LA, XL
<b>WHEELS</b>	Mavic Crossmax CL XD
<b>WHEELS OPTION</b>	Mavic Crossmax XLS XD



	SM	MD	LA	XL
<b>ST (mm)</b>	422	452	492	540
<b>TT (mm)</b>	579	604	625	650
<b>HT (mm)</b>	95	100	110	125
<b>RC (mm)</b>	430	430	430	430
<b>BB (mm)</b>	63	63	63	63
<b>WB (mm)</b>	1092	1117	1140	1163
<b>REACH (mm)</b>	405	429	450	471
<b>STACK (mm)</b>	608	610	622	636
<b>Ha (°)</b>	68,5°	68,5°	68,5°	68,5°
<b>Sa (°)</b>	74°	74°	74°	74°

---

# SPECIAL XT

---

# MTB

---

○ 29"

\*The final result may vary from the image.

**CONOR**  
**WRE**  
WORLD RACE CONOR

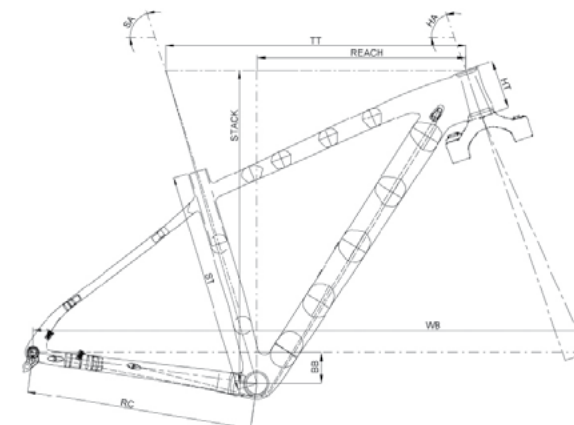


COLOR





<b>CODE</b>	.310228
<b>FRAME</b>	29" Carbon UD 24T/T700 Toray, taper, 12x148mm
<b>FORK</b>	Rock shox Judy Silver TK remore solo Air Tr.100mm 15X110mm
<b>SHIFTERS</b>	Shimano Deore M6100-R 12s
<b>BRAKES</b>	Shimano disc BL-MT401/BR-MT410
<b>REAR DERAILLEUR</b>	Shimano XT M8100 12s
<b>CASSETTE</b>	Shimano Deore M6100 12s 10/51T
<b>CHAIN</b>	Shimano Deore M6100 12s
<b>CRANKSET</b>	Shimano Deore M6120-1 12s 175mm 32T
<b>TYRES</b>	29"x2,40 Continental Trail King
<b>SADDLE</b>	Selle Italia Model X Superflow
<b>SEAT POST</b>	WRC Alloy 31,6x350mm
<b>HANDLEBAR</b>	WRC Alloy 720X31,8mm
<b>STEM</b>	WRC Alloy 31.8mm
<b>HEADSET</b>	FSA Tapered
<b>SIZES</b>	SM, MD, LA
<b>FRONT HUB</b>	Fastace DA210FSS8 32h 15X110mm
<b>REAR HUB</b>	Formula CL-3248M 32h 12X148mm
<b>RIM</b>	Alloy double wall



	SM	MD	LA	XL
<b>ST (mm)</b>	394	425	475	525
<b>TT (mm)</b>	572	585	605	630
<b>HT (mm)</b>	90	100	105	110
<b>RC (mm)</b>	450	450	450	450
<b>BB (mm)</b>	65	65	65	65
<b>WB (mm)</b>	1077	1089	1100	1112
<b>REACH (mm)</b>	395	405	418	441
<b>STACK (mm)</b>	597	605	612	616
<b>Ha (°)</b>	71°	70.5°	71°	71°
<b>Sa (°)</b>	73.5°	73.4°	73°	73°

---

# SPECIAL SX

---

## MTB

---

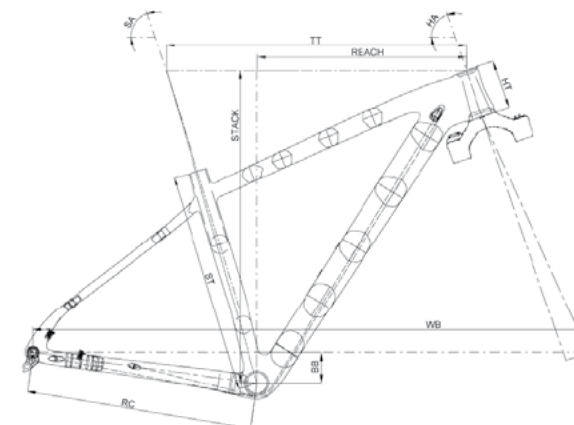
○ 29"

**CONOR**  
**WRC**  
WORLD RACE CONOR



COLOR

<b>CODE</b>	.310227
<b>FRAME</b>	29" Carbon UD 24T/T700 Toray, taper, 12x148mm
<b>FORK</b>	Rock Shox Judy silver TK Air remote Tr.100mm, 15X110mm
<b>SHIFTERS</b>	Sram SX EAGLE
<b>BRAKES</b>	Shimano Disc BL-MT200/BR-MT200
<b>REAR DERAILLEUR</b>	Sram SX Eagle
<b>CASSETTE</b>	Sram SX EAGLE 11/50T
<b>CHAIN</b>	Sram SX Eagle
<b>CRANKSET</b>	Sram SX Eagle 175mm 32T
<b>TYRES</b>	29X2.30 Continental Cross King
<b>SADDLE</b>	Selle Italia Model X Superflow
<b>SEAT POST</b>	WRC Alloy 27,2x300mm
<b>HANDLEBAR</b>	WRC Alloy 720x31,8mm
<b>STEM</b>	WRC Alloy 31.8mm
<b>HEADSET</b>	FSA Tapered
<b>SIZES</b>	SM, MD, LA, XL
<b>FRONT HUB</b>	Shimano MT400 32h 15X100mm
<b>REAR HUB</b>	Shimano MT400 32h 12X148mm
<b>RIM</b>	Alloy double wall



	SM	MD	LA	XL
<b>ST (mm)</b>	394	425	475	525
<b>TT (mm)</b>	572	585	605	630
<b>HT (mm)</b>	90	100	105	110
<b>RC (mm)</b>	450	450	450	450
<b>BB (mm)</b>	65	65	65	65
<b>WB (mm)</b>	1077	1089	1100	1112
<b>REACH (mm)</b>	395	405	418	441
<b>STACK (mm)</b>	597	605	612	616
<b>Ha (°)</b>	71°	70.5°	71°	71°
<b>Sa (°)</b>	73.5°	73.4°	73°	73°

---

**TEAM**

---

**MTB**

---

○ **29"**

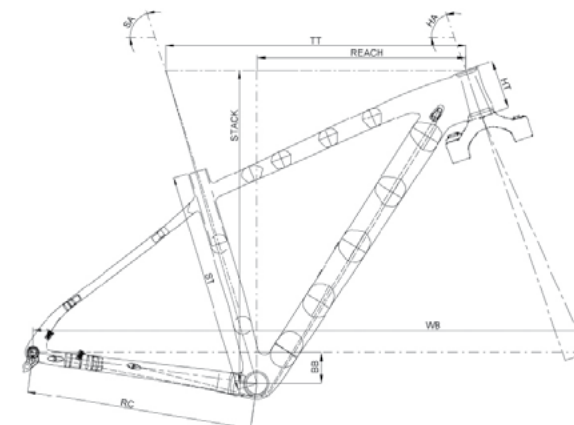
**CONOR**  
**WRE**  
WORLD RACE CONOR

COLOR





<b>CODE</b>	.310615
<b>FRAME</b>	29" Alloy 6061, tapered 12x142mm
<b>FORK</b>	Rock Shox Judy Silver Tk remote Air TR.100mm 15X110mm
<b>SHIFTERS</b>	Shimano Deore M6100-R 12s
<b>BRAKES</b>	Shimano Disc BL-MT201/BR-MT200
<b>REAR DERAILLEUR</b>	Shimano XT M8100 12s
<b>CASSETTE</b>	Shimano Deore M6100 12s 10/51T
<b>CHAIN</b>	Shimano Deore M6100 12s
<b>CRANKSET</b>	Shimano MT510-1 170mm 32T
<b>TYRES</b>	29"X2,25 Schwalbe Smart Sam
<b>SADDLE</b>	Selle Italia Model X Superflow
<b>SEAT POST</b>	WRC Alloy 30,9x400mm
<b>HANDLEBAR</b>	WRC Alloy 720x31.8mm
<b>STEM</b>	WRC Alloy 31.8mm
<b>HEADSET</b>	FSA Tapered
<b>SIZES</b>	SM, MD, LA, XL
<b>FRONT HUB</b>	Shimano MT400 32h 15X110mm
<b>REAR HUB</b>	Shimano MT410 32h 12X142mm
<b>RIM</b>	Alloy double wall



	SM	MD	LA	XL
<b>ST (mm)</b>	410	440	480	530
<b>TT (mm)</b>	595	600	610	620
<b>HT (mm)</b>	100	110	110	120
<b>RC (mm)</b>	450	450	450	450
<b>BB (mm)</b>	55	55	55	55
<b>WB (mm)</b>	1111	1117	1127	1137
<b>REACH (mm)</b>	415	418	427	435
<b>STACK (mm)</b>	605	615	615	625
<b>Ha (°)</b>	70°	70°	70°	70°
<b>Sa (°)</b>	73,5°	73,5°	73,5°	73,5°

---

**PRO**

---

**MTB**

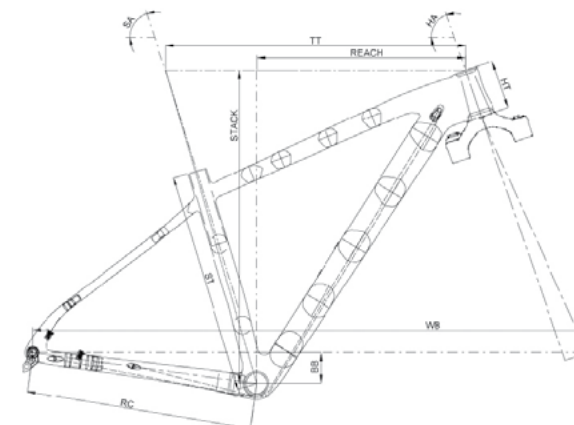
---

○ **29"**



COLOR

<b>CODE</b>	.310660
<b>FRAME</b>	29" Alloy 6061
<b>FORK</b>	Rock Shox Judy silver TK remote Air Tr.100mm
<b>SHIFTERS</b>	Shimano Deore M6100-R 12s
<b>BRAKES</b>	Shimano disc MT200
<b>REAR DERAILLEUR</b>	Shimano XT M8100 12s
<b>CASSETTE</b>	Shimano Deore M6100 12s 10/51T
<b>CHAIN</b>	Shimano Deore M6100 12s
<b>CRANKSET</b>	Shimano MT510-1 170mm 32T
<b>TYRES</b>	29"X2,20 Victory Black
<b>SADDLE</b>	Selle Italia Model X Superflow
<b>SEAT POST</b>	WRC Alloy 30,9x400mm
<b>HANDLEBAR</b>	WRC Alloy 720X31.8mm
<b>STEM</b>	WRc Alloy 31.8mm
<b>HEADSET</b>	FSA Semi integrated 1 1/8"
<b>SIZES</b>	SM, MD, LA, XL
<b>FRONT HUB</b>	Shimano TX505 32h
<b>REAR HUB</b>	Shimano MT401 32h
<b>RIM</b>	Alloy double wall



	SM	MD	LA	XL
<b>ST (mm)</b>	410	440	480	530
<b>TT (mm)</b>	595	600	610	620
<b>HT (mm)</b>	100	110	110	120
<b>RC (mm)</b>	450	450	450	450
<b>BB (mm)</b>	55	55	55	55
<b>WB (mm)</b>	1111,7	1117,2	1127,2	1137,9
<b>REACH (mm)</b>	415,6	420	430	436,5
<b>STACK (mm)</b>	605,7	615	615	625
<b>Ha (°)</b>	70°	70°	70°	70°
<b>Sa (°)</b>	73,5°	73,5°	73,5°	73,5°

---

**COMP**

---

**MTB**

---

○ **29"**

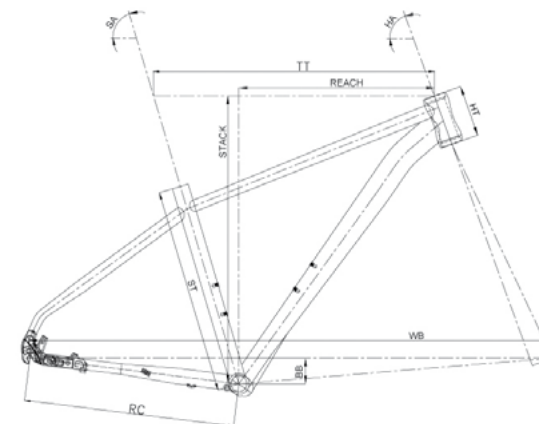
**CONOR**  
**WRE**  
WORLD RACE CONOR



COLOR



<b>CODE</b>	.310665
<b>FRAME</b>	29" Alloy 6061
<b>FORK</b>	Suntour XCR RL Air Tr.100mm
<b>SHIFTERS</b>	Sram SX EAGLE
<b>BRAKES</b>	Shimano disc MT200
<b>REAR DERAILLEUR</b>	Sram SX Eagle
<b>CASSETTE</b>	SX Eagle 11/50T
<b>CHAIN</b>	Sram SX Eagle
<b>CRANKSET</b>	Sram SX Eagle 170mm 32T
<b>TYRES</b>	29"X2,20 Victory Black
<b>SADDLE</b>	Selle Royal Vivo
<b>SEAT POST</b>	WRC Alloy 30,9x400mm
<b>HANDLEBAR</b>	WRC alloy 720X31.8mm
<b>STEM</b>	WRC alloy 31.8mm
<b>HEADSET</b>	FSA semi integrated 1 1/8"
<b>SIZES</b>	SM, MD, LA, XL
<b>FRONT HUB</b>	Formula Alloy CL-51 32h
<b>REAR HUB</b>	Formula Alloy CL-52 32h
<b>RIM</b>	Alloy double wall



	SM	MD	LA	XL
<b>ST (mm)</b>	410	440	480	530
<b>TT (mm)</b>	595	600	610	620
<b>HT (mm)</b>	100	110	110	120
<b>RC (mm)</b>	450	450	450	450
<b>BB (mm)</b>	55	55	55	55
<b>WB (mm)</b>	1111,7	1117,2	1127,2	1137,9
<b>REACH (mm)</b>	415,6	420	430	436,5
<b>STACK (mm)</b>	605,7	615	615	625
<b>Ha (°)</b>	70°	70°	70°	70°
<b>Sa (°)</b>	73,5°	73,5°	73,5°	73,5°

---

**COMP W**

---

**MTB**

---

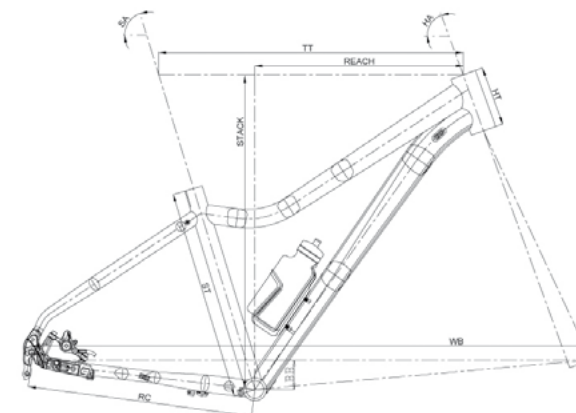
○ **27,5"**

**CONOR**  
**WRE**  
WORLD RACE CONOR



COLOR

<b>CODE</b>	.310666
<b>FRAME</b>	27,5" Alloy 6061
<b>FORK</b>	Suntour SF14 XCR RL Air Tr.100mm
<b>SHIFTERS</b>	Sram SX EAGLE
<b>BRAKES</b>	Shimano disc MT201
<b>REAR DERAILLEUR</b>	Sram SX Eagles
<b>CASSETTE</b>	Sram SX Eagle 11/50T
<b>CHAIN</b>	Sram SX Eagle
<b>CRANKSET</b>	Sram SX Eagle 170mm 32T
<b>TYRES</b>	27.5"X2,25 Schwalbe Rapid Rob
<b>SADDLE</b>	Selle Royal Vivo
<b>SEAT POST</b>	WRC Alloy 31,6x350mm
<b>HANDLEBAR</b>	WRC Alloy 680x31,8mm
<b>STEM</b>	WRC Alloy 31.8mm
<b>HEADSET</b>	FSA semi integrated 1 1/8"
<b>SIZES</b>	WS, WM
<b>FRONT HUB</b>	Formula Alloy CL-51 32h
<b>REAR HUB</b>	Formula Alloy CL-52 32h
<b>RIM</b>	Alloy double wall



	WS	WM
<b>ST (mm)</b>	381	406
<b>TT (mm)</b>	570	588
<b>HT (mm)</b>	115	115
<b>RC (mm)</b>	435	435
<b>BB (mm)</b>	57	57
<b>WB (mm)</b>	1063	1081
<b>REACH (mm)</b>	384	402
<b>STACK (mm)</b>	608	608
<b>Ha (°)</b>	70°	70°
<b>Sa (°)</b>	73°	73°

---

**9500**

---

**MTB**

---

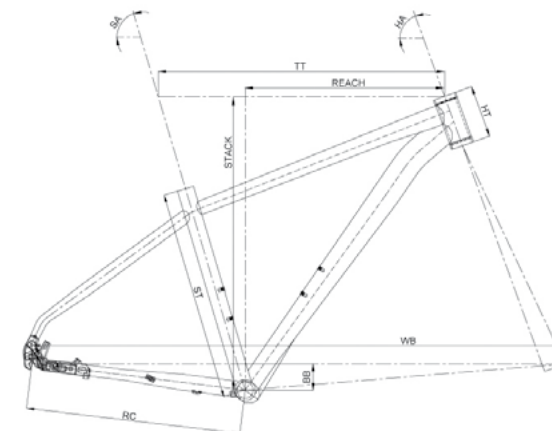
○ **29"**



COLOR



<b>CODE</b>	.310768
<b>FRAME</b>	29" Alloy 6061
<b>FORK</b>	Suntour XCM RL Tr.100mm
<b>SHIFTERS</b>	Shimano Deore M5100-R 11s
<b>BRAKES</b>	Shimano disc MT200
<b>REAR DERAILLEUR</b>	Shimano Deore M5100 11s
<b>FRONT DERAILLEUR</b>	Shimano Altus M2020
<b>CASSETTE</b>	Shimano Deore M5100 11s 11/51T
<b>CHAIN</b>	YBN S9S
<b>CRANKSET</b>	Shimano Deore M5100 170mm 32T
<b>TYRES</b>	29"X2,20 Victory Black
<b>SADDLE</b>	Selle Royal Vivo
<b>SEAT POST</b>	Alloy 30.9X400mm
<b>HANDLEBAR</b>	Alloy 700X31.8mm
<b>STEM</b>	Alloy 31,8mm
<b>HEADSET</b>	FSA semi integrated 1 1/8"
<b>SIZES</b>	SM, MD, LA, XL
<b>FRONT HUB</b>	Formula alloy CL-51 32h
<b>REAR HUB</b>	Formula alloy CL-52 32h
<b>RIM</b>	Alloy double wall



	SM	MD	LA	XL
<b>ST (mm)</b>	410	440	480	530
<b>TT (mm)</b>	595	600	610	620
<b>HT (mm)</b>	100	110	110	120
<b>RC (mm)</b>	450	450	450	450
<b>BB (mm)</b>	55	55	55	55
<b>WB (mm)</b>	1111,7	1117,2	1127,2	1137,9
<b>REACH (mm)</b>	415,6	420	430	440
<b>STACK (mm)</b>	605,7	615	615	624
<b>Ha (°)</b>	70°	70°	70°	70°
<b>Sa (°)</b>	73,5°	73,5°	73,5°	73,5°

---

**950**

---

**MTB**

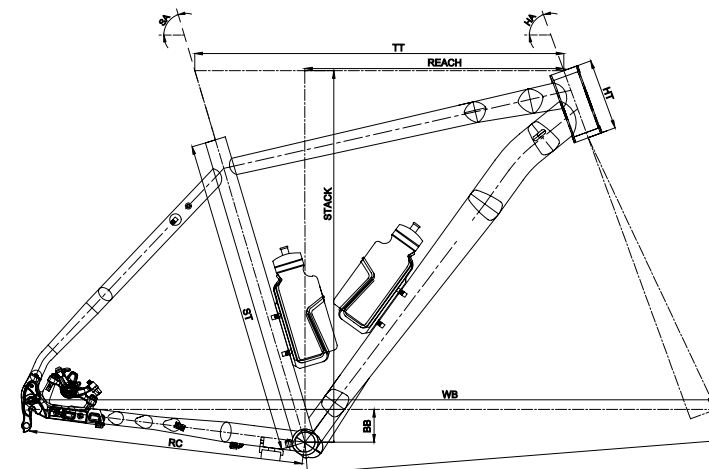
---

○ **29"**



COLOR

<b>CODE</b>	.410764
<b>FRAME</b>	29" Alloy 6061, Hidroform tubes
<b>FORK</b>	ZOOM 29 595 S AMS R/LO Disc Tr.100mm
<b>SHIFTERS</b>	Shimano CUES U6000 11s
<b>BRAKES</b>	Shimano disc MT200
<b>REAR DERAILLEUR</b>	Shimano Cues U6020 11s
<b>CASSETTE</b>	Shimano Cues G4001 11s 11/45T
<b>CHAIN</b>	Shimano CUES LG500
<b>CRANKSET</b>	Shimano Cues U4000 175mm 32T
<b>TYRES</b>	29"X2,25 Kenda K1168
<b>SADDLE</b>	VD1148D-11
<b>SEAT POST</b>	Alloy Zoom SP-208 30,9x400mm
<b>HANDLEBAR</b>	Zoom Alloy AL330 BT FOV 700mm Rise 30 mm 6°, 31,8mm
<b>STEM</b>	Zoom Alloy TDS-D507A Ext.100mm, 31.8mm
<b>HEADSET</b>	A head 1 1/8
<b>FRONT HUB</b>	Shimano TX505
<b>REAR HUB</b>	Shimano TX505
<b>RIM</b>	Alloy double rim
<b>SIZES</b>	SM, MD, LA, XL



	SM	MD	LA	XL
<b>ST (mm)</b>	410	440	480	530
<b>TT (mm)</b>	595	600	610	620
<b>HT (mm)</b>	100	110	110	120
<b>RC (mm)</b>	462	462	462	462
<b>BB (mm)</b>	55	55	55	55
<b>WB (mm)</b>	1123,9	1129,3	1139	1150
<b>REACH (mm)</b>	415,6	417,8	427,8	535,1
<b>STACK (mm)</b>	605,7	615	615	624,5
<b>Ha (°)</b>	70°	70°	70°	70°
<b>Sa (°)</b>	73,5°	73,5°	73,5°	73,5°

---

**8500**

---

**MTB**

---

○ **29"**

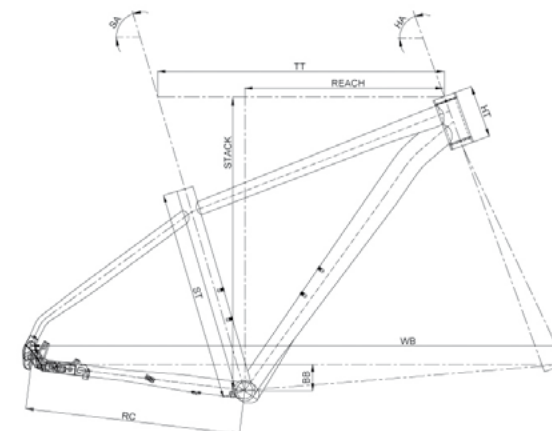
**CONOR**  
**WRC**  
WORLD RACE CONOR



COLOR



<b>CODE</b>	.310810
<b>FRAME</b>	29" Alloy 6061
<b>FORK</b>	Suntour XCM RL Tr.100mm
<b>SHIFTERS</b>	Shimano Alivio M3100-R / M3100-2L 9s
<b>BRAKES</b>	Shimano disc MT200
<b>REAR DERAILLEUR</b>	Shimano Alivio M3100 9s
<b>FRONT DERAILLEUR</b>	Shimano Altus M2020 2s
<b>CASSETTE</b>	Shimano HG200 9s 11/36T
<b>CHAIN</b>	YBN S9S
<b>CRANKSET</b>	Shimano MT101 175 36/22T
<b>TYRES</b>	29"X2,20 Victory Black
<b>SADDLE</b>	Selle Royal Shadow
<b>SEAT POST</b>	Alloy 30.9X400mm
<b>HANDLEBAR</b>	Alloy 700X31.8mm
<b>STEM</b>	Alloy 31,8mm
<b>HEADSET</b>	FSA semi integrated 1 1/8"
<b>SIZES</b>	SM, MD, LA, XL
<b>FRONT HUB</b>	Shimano TX505 32h
<b>REAR HUB</b>	Shimano TX505 32h
<b>RIM</b>	Alloy double wall



	SM	MD	LA	XL
<b>ST (mm)</b>	410	440	480	530
<b>TT (mm)</b>	595	600	610	620
<b>HT (mm)</b>	100	110	110	120
<b>RC (mm)</b>	450	450	450	450
<b>BB (mm)</b>	55	55	55	55
<b>WB (mm)</b>	1111,7	1117,2	1127,2	1137,9
<b>REACH (mm)</b>	415,6	420	430	440
<b>STACK (mm)</b>	605,7	615	615	624
<b>Ha (°)</b>	70°	70°	70°	70°
<b>Sa (°)</b>	73,5°	73,5°	73,5°	73,5°

---

**850**

---

**MTB**

---

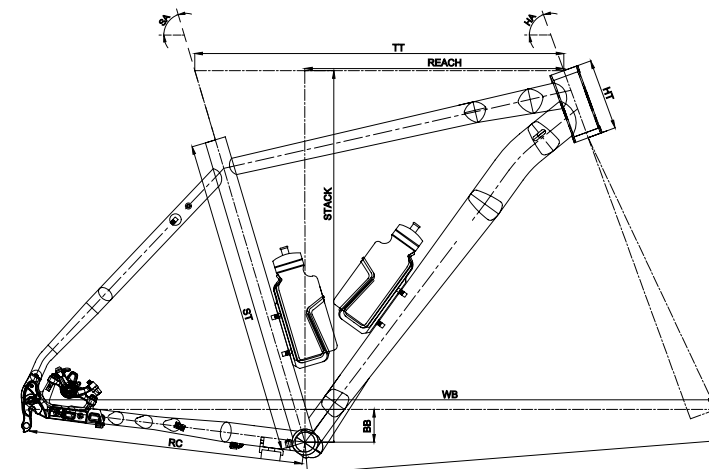
○ **29"**

**CONOR**  
**WRC**  
WORLD RACE CONOR



COLOR

<b>CODE</b>	.410814
<b>FRAME</b>	29" Alloy 6061, Hidroform tubes
<b>FORK</b>	ZOOM 29 595 S AMS R/LO Disc Tr.100mm
<b>SHIFTERS</b>	Shimano Cues U4000 9s
<b>BRAKES</b>	Shimano disc MT200
<b>FRONT DERAILLEUR</b>	Shimano Cues U4000 2x9s
<b>REAR DERAILLEUR</b>	Shimano Cues U4000 9s
<b>CASSETTE</b>	Shimano CUES U4000 9s 11/36T
<b>CHAIN</b>	Shimano CUES LG500
<b>CRANKSET</b>	Shimano Cues U4000 170mm 36/22T
<b>TYRES</b>	29"X2,25 Kenda K1168
<b>SADDLE</b>	VD1148D-11
<b>SEAT POST</b>	Alloy Zoom SP-208 30,9x400mm
<b>HANDLEBAR</b>	Zoom Alloy AL330 BT FOV 700mm Rise 30 mm 6°, 31,8mm
<b>STEM</b>	Zoom Alloy TDS-D507A Ext.100mm, 31.8mm
<b>HEADSET</b>	A-head 1 1/8
<b>FRONT HUB</b>	Shimano TX505
<b>REAR HUB</b>	Shimano TX505
<b>RIM</b>	Alloy double rim
<b>SIZES</b>	SM, MD, LA, XL



	SM	MD	LA	XL
<b>ST (mm)</b>	410	440	480	530
<b>TT (mm)</b>	595	600	610	620
<b>HT (mm)</b>	100	110	110	120
<b>RC (mm)</b>	462	462	462	462
<b>BB (mm)</b>	55	55	55	55
<b>WB (mm)</b>	1123,9	1129,3	1139	1150
<b>REACH (mm)</b>	415,6	417,8	427,8	535,1
<b>STACK (mm)</b>	605,7	615	615	624,5
<b>Ha (°)</b>	70°	70°	70°	70°
<b>Sa (°)</b>	73,5°	73,5°	73,5°	73,5°

---

**7200**

---

**MTB**

---

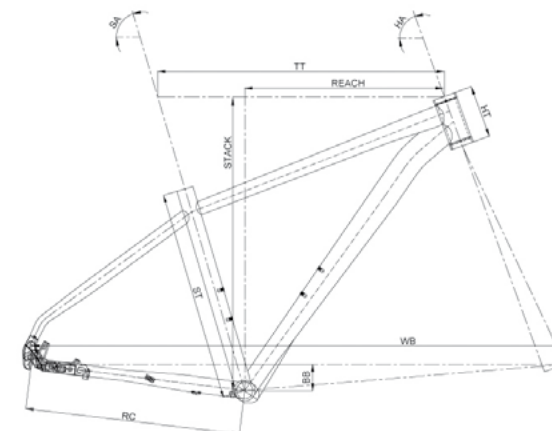
○ **29"**



COLOR



<b>CODE</b>	.310820
<b>FRAME</b>	29" Alloy 6061
<b>FORK</b>	Suntour SF15 XCM RL Tr.100mm
<b>SHIFTERS</b>	Shimano M315-8R / M315-2L 8s
<b>BRAKES</b>	Shimano disc MT200
<b>REAR DERAILLEUR</b>	Shimano Acera M3020 8s
<b>FRONT DERAILLEUR</b>	Shimano Altus M315
<b>CASSETTE</b>	Shimano HG31 8s 11/34T
<b>CHAIN</b>	YBN S52 8s
<b>CRANKSET</b>	Shimano M315 175mm 36/22T
<b>TYRES</b>	29"X2,20 Victory Black
<b>SADDLE</b>	Selle Royal Shadow
<b>SEAT POST</b>	Alloy 30.9x400mm
<b>HANDLEBAR</b>	Allot 700x31.8mm
<b>STEM</b>	Alloy 31,8mm
<b>HEADSET</b>	FSA semi integrated 1 1/8"
<b>SIZES</b>	SM, MD, LA, XL
<b>FRONT HUB</b>	Shimano TX505 32h
<b>REAR HUB</b>	Shimano TX505 32h
<b>RIM</b>	Alloy double wall



	SM	MD	LA	XL
<b>ST (mm)</b>	410	440	480	530
<b>TT (mm)</b>	595	600	610	620
<b>HT (mm)</b>	100	110	110	120
<b>RC (mm)</b>	450	450	450	450
<b>BB (mm)</b>	55	55	55	55
<b>WB (mm)</b>	1111,7	1117,2	1127,2	1137,9
<b>REACH (mm)</b>	415,6	420	430	440
<b>STACK (mm)</b>	605,7	615	615	624
<b>Ha (°)</b>	70°	70°	70°	70°
<b>Sa (°)</b>	73,5°	73,5°	73,5°	73,5°

---

**7200 W**

---

**MTB**

---

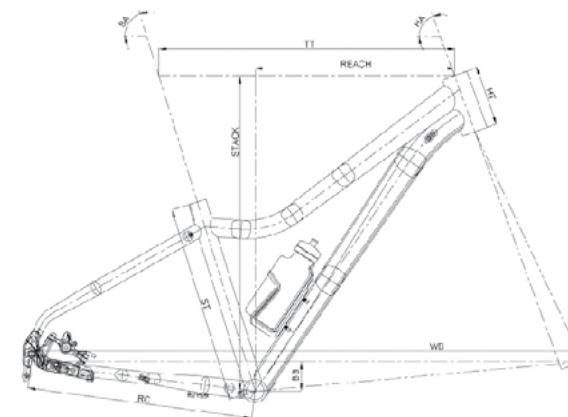
○ **27,5"**

**CONOR**  
**WRC**  
WORLD RACE CONOR



COLOR

<b>CODE</b>	.210822
<b>FRAME</b>	27,5" Alloy 6061
<b>FORK</b>	RST Blaze RL Tr.100mm / Suntour XCM RL Tr.100mm
<b>SHIFTERS</b>	Shimano M315-8R / M315-2L 8s
<b>BRAKES</b>	Shimano disc MT200
<b>REAR DERAILLEUR</b>	Shimano Acera M360 8s / Shimano Acera M3020 8s
<b>FRONT DERAILLEUR</b>	Shimano Altus M315
<b>CASSETTE</b>	Shimano HG31 8s 11/34T
<b>CHAIN</b>	YBN S52 8s
<b>CRANKSET</b>	Shimano Altus M315 170mm 36/22T
<b>TYRES</b>	27,5"X2,20 H-5129, Victory Black
<b>SADDLE</b>	Selle Royal Shadow
<b>SEAT POST</b>	Alloy 31,6x350mm
<b>HANDLEBAR</b>	Alloy 680x31.8mm
<b>STEM</b>	Alloy 31,8mm
<b>HEADSET</b>	A-head semi-integrated 1 1/8"
<b>SIZES</b>	WS, WM
<b>FRONT HUB</b>	Shimano TX505 32h
<b>REAR HUB</b>	Shimano TX505 32h
<b>RIM</b>	Alloy double wall



	WS	WM
<b>ST (mm)</b>	381	406
<b>TT (mm)</b>	570	588
<b>HT (mm)</b>	115	115
<b>RC (mm)</b>	435	435
<b>BB (mm)</b>	57	57
<b>WB (mm)</b>	1063	1081
<b>REACH (mm)</b>	384	402
<b>STACK (mm)</b>	608	608
<b>Ha (°)</b>	70°	70°
<b>Sa (°)</b>	73°	73°

---

**720**

---

**MTB**

---

○ **29"**

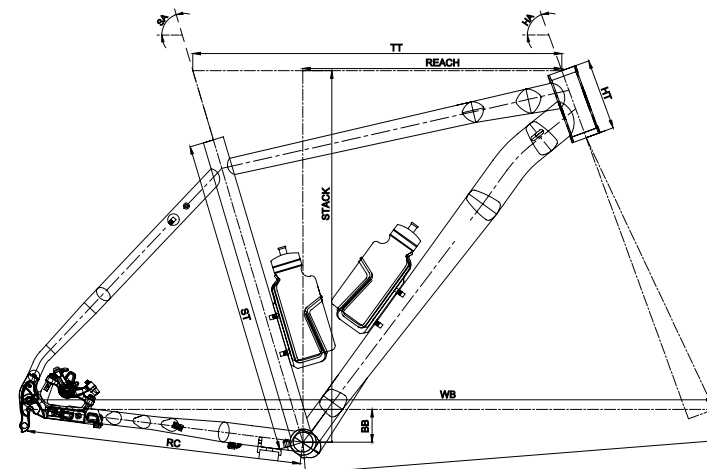
**CONOR**  
**WRC**  
WORLD RACE CONOR



COLOR



<b>CODE</b>	.410824
<b>FRAME</b>	29" Alloy 6061, Hidroform tubes
<b>FORK</b>	ZOOM 29 595 S AMS R/LO Disc Tr.100mm
<b>SHIFTERS</b>	Shimano M315 8s
<b>BRAKES</b>	Shimano disc MT200
<b>FRONT DERAILLEUR</b>	Shimano Altus M315
<b>REAR DERAILLEUR</b>	Shimano Acera M3020 8s
<b>CASSETTE</b>	Shimano HG508 8s 11-34T
<b>CHAIN</b>	KMC Z8 8s
<b>CRANKSET</b>	Shimano M315 175mm 36/22T
<b>TYRES</b>	29"X2,25 Kenda K1168
<b>SADDLE</b>	VD1148D-11
<b>SEAT POST</b>	Alloy Zoom SP-208 30,9x400mm
<b>HANDLEBAR</b>	Zoom Alloy AL330 BT FOV 700mm Rise 30 mm 6°, 31,8mm
<b>STEM</b>	Zoom Alloy TDS-D507A Ext.100mm, 31.8mm
<b>HEADSET</b>	A-head 1 1/8
<b>FRONT HUB</b>	Shimano TX505
<b>REAR HUB</b>	Shimano TX505
<b>RIM</b>	Alloy double rim
<b>SIZES</b>	SM, MD, LA, XL



	SM	MD	LA	XL
<b>ST (mm)</b>	410	440	480	530
<b>TT (mm)</b>	595	600	610	620
<b>HT (mm)</b>	100	110	110	120
<b>RC (mm)</b>	462	462	462	462
<b>BB (mm)</b>	55	55	55	55
<b>WB (mm)</b>	1123,9	1129,3	1139	1150
<b>REACH (mm)</b>	415,6	417,8	427,8	535,1
<b>STACK (mm)</b>	605,7	615	615	624,5
<b>Ha (°)</b>	70°	70°	70°	70°
<b>Sa (°)</b>	73,5°	73,5°	73,5°	73,5°

---

**5400**

---

**MTB**

---

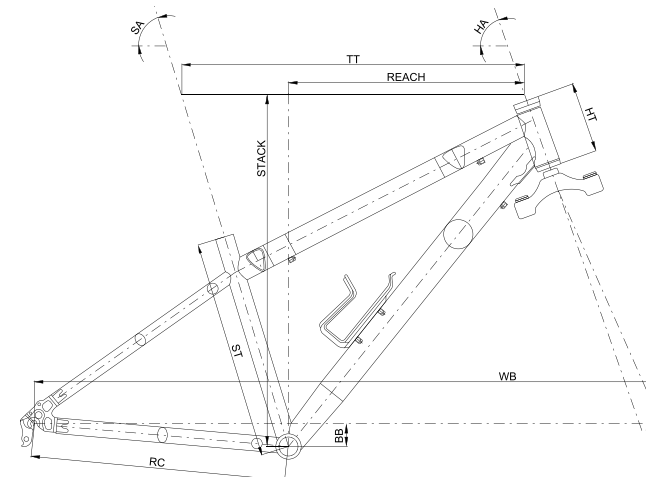
○ **27,5"**

**CONOR**  
**WRC**  
WORLD RACE CONOR



COLOR

<b>CODE</b>	.310845E
<b>FRAME</b>	27,5" Alloy 6061
<b>FORK</b>	MTB STA-351
<b>SHIFTERS</b>	Shimano EF50 21s
<b>BRAKES</b>	Alloy V-Brake
<b>REAR DERAILLEUR</b>	Shimano Tourney RD-TY300-SGS 6/7s
<b>FRONT DERAILLEUR</b>	Shimano Tourney FD-TY300-DS6 TY300 Down Pull 31.8mm
<b>CASSETTE</b>	Shimano TOURNEY TZ500 Series MF-TZ500 7s 14/28T HYPERGLIDE
<b>CHAIN</b>	YBN S50 6/7s
<b>CRANKSET</b>	Steel 170mm 24/34/42T 7/8s
<b>TYRES</b>	27.5"X2.10 Wanda A.V.
<b>SADDLE</b>	Conor 5400
<b>SEAT POST</b>	Conor Alloy 27.2x350mm
<b>HANDLEBAR</b>	Conor MTB 31.8mm
<b>STEM</b>	Conor MTB 31.8mm
<b>HEADSET</b>	A-head
<b>SIZES</b>	SM, MD
<b>FRONT HUB</b>	Alloy 32F
<b>REAR HUB</b>	Alloy 32F
<b>RIM</b>	Alloy double wall



	SM	MD
<b>ST (mm)</b>	381	432
<b>TT (mm)</b>	597,4	607
<b>HT (mm)</b>	115	125
<b>RC (mm)</b>	445	445
<b>BB (mm)</b>	40	4
<b>WB (mm)</b>	1092	1102
<b>REACH (mm)</b>		
<b>STACK (mm)</b>		
<b>Ha (°)</b>	71°	71°
<b>Sa (°)</b>	73°	73°

---

**5400 W 3X8S**

---

**MTB**

---

○ **27,5"**

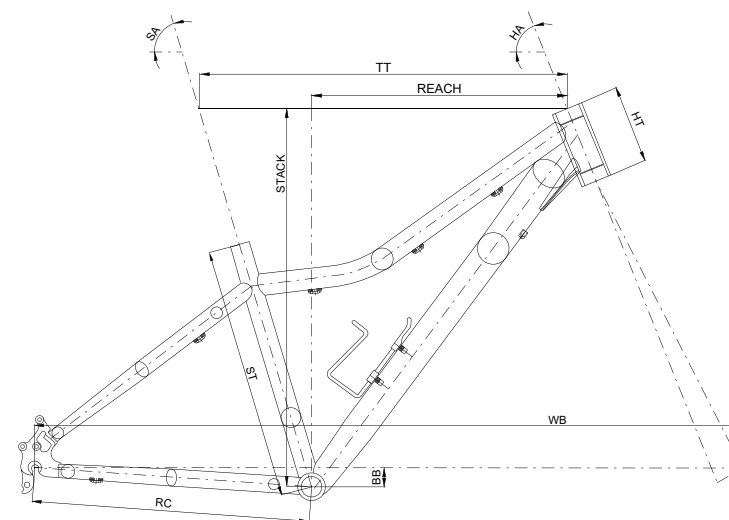
**CONOR**  
**WRC**  
WORLD RACE CONOR

COLOR





<b>CODE</b>	.410846E
<b>FRAME</b>	27,5" Alloy 6061
<b>FORK</b>	Suntour XCM-RL 100mm
<b>SHIFTERS</b>	Shimano SL-M315L / SL-M3158R 8s
<b>BRAKES</b>	Shimano disc MT-200
<b>REAR DERAILLEUR</b>	Shimano M310 8s
<b>FRONT DERAILLEUR</b>	Shimano TY500
<b>CASSETTE</b>	Shimano HG200 8s 12/32T
<b>CHAIN</b>	YBN S50 8s
<b>CRANKSET</b>	Shimano TY501 170mm 24/34/42T
<b>TYRES</b>	27.5"x2,10 Wanda
<b>SADDLE</b>	Conor 5400
<b>SEAT POST</b>	Alloy 27,2x350mm
<b>HANDLEBAR</b>	Conor Alloy 31,8mm
<b>STEM</b>	Conor Alloy 31,8mm
<b>FRONT HUB</b>	Alloy 32F
<b>REAR HUB</b>	Alloy 32F
<b>RIM</b>	Conor Alloy
<b>SIZES</b>	WS, WM



	WS	WM
<b>ST (mm)</b>	406	457
<b>TT (mm)</b>	590	590
<b>HT (mm)</b>	125	125
<b>RC (mm)</b>	445	445
<b>BB (mm)</b>	30	30
<b>WB (mm)</b>	1135,8	1135,8
<b>Ha (°)</b>	68°	68°
<b>Sa (°)</b>	73,5°	73,5°

---

**5400 W 3X7S**

---

**MTB**

---

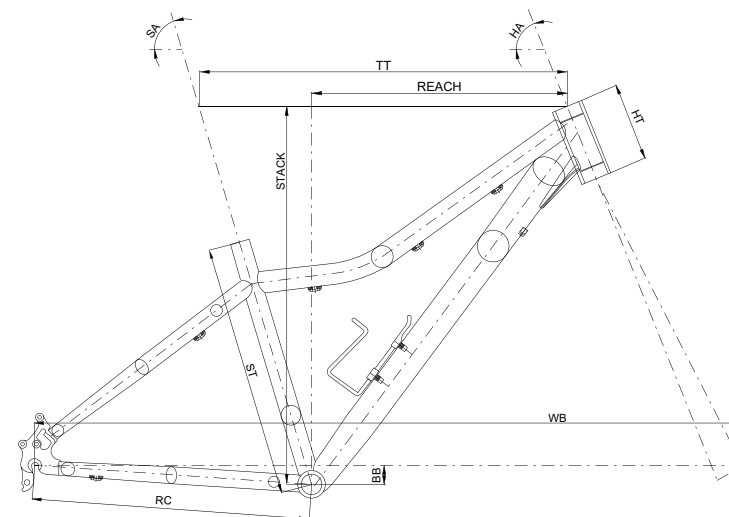
○ **27,5"**

**CONOR**  
**WRC**  
WORLD RACE CONOR

COLOR



<b>CODE</b>	.410845E
<b>FRAME</b>	27,5" Alloy 6061
<b>FORK</b>	Zoom 389 ML/O
<b>SHIFTERS</b>	Shimano EF50 21s
<b>BRAKES</b>	Mechanical disc brake Raceline
<b>REAR DERAILLEUR</b>	Shimano TY300 7s
<b>FRONT DERAILLEUR</b>	Shimano TY300
<b>CASSETTE</b>	Shimano HG200 7s 12/32T
<b>CHAIN</b>	YBN S50 7s
<b>CRANKSET</b>	Steel 170mm 24/34/42T
<b>TYRES</b>	27.5"x2,10 Wanda
<b>SADDLE</b>	Conor 5400
<b>SEAT POST</b>	Alloy 27,2x350mm
<b>HANDLEBAR</b>	Conor Alloy 31,8mm
<b>STEM</b>	Conor Alloy 31,8mm
<b>FRONT HUB</b>	Alloy 32F
<b>REAR HUB</b>	Alloy 32F
<b>RIM</b>	Alloy Alloy
<b>SIZES</b>	WS, WM



	WS	WM
<b>ST (mm)</b>	406	457
<b>TT (mm)</b>	590	590
<b>HT (mm)</b>	125	125
<b>RC (mm)</b>	445	445
<b>BB (mm)</b>	30	30
<b>WB (mm)</b>	1135,8	1135,8
<b>Ha (°)</b>	68°	68°
<b>Sa (°)</b>	73,5°	73,5°

.410845EXAWS  
.410845EXAWM







---

# LYON

---

# URBAN

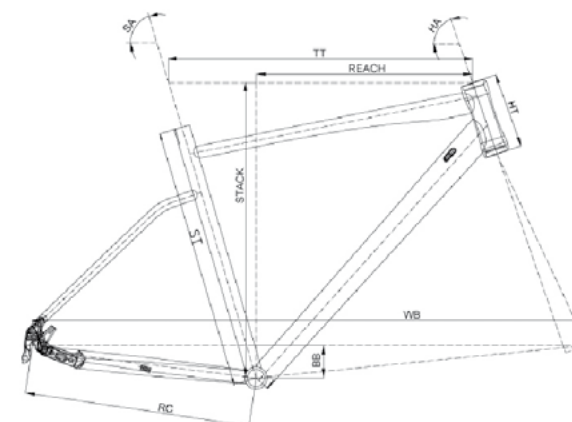
---

○ 28"



COLOR

<b>CODE</b>	.250425
<b>FRAME</b>	28" Alloy 6061
<b>FORK</b>	Threadless steel
<b>SHIFTERS</b>	Shimano M315-8R / M315-2L 2x8s
<b>BRAKES</b>	Shimano disc MT200
<b>REAR DERAILLEUR</b>	Shimano Acera M360 8s
<b>FRONT DERAILLEUR</b>	Shimano TY701-2-TS3
<b>CASSETTE</b>	Sunrace CSM55.8AU 8s 11/32T
<b>CHAIN</b>	YBN S52 8s
<b>CRANKSET</b>	Shimano TY501-2 175mm 46/30T
<b>TYRES</b>	700x37C WTB Riddler
<b>SADDLE</b>	Selle Royal Shadow
<b>SEAT POST</b>	Alloy 27,2x300mm
<b>HANDLEBAR</b>	WRC alloy 620x31.8mm
<b>STEM</b>	WRC alloy Ext.90mm, 31.8mm
<b>HEADSET</b>	Steel semi-integrated 1 1/8"
<b>FRONT HUB</b>	Shimano TX505 32h
<b>REAR HUB</b>	Shimano TX505 8s 32h
<b>RIM</b>	Alloy double wall
<b>SIZES</b>	LA, XL



	LA	XL
<b>ST (mm)</b>	520	560
<b>TT (mm)</b>	605	602
<b>HT (mm)</b>	150	160
<b>RC (mm)</b>	450	450
<b>BB (mm)</b>	65	65
<b>WB (mm)</b>	1104	1119
<b>REACH (mm)</b>	435	443
<b>STACK (mm)</b>	587	597
<b>Ha (°)</b>	71°	71°
<b>Sa (°)</b>	73,5°	73,5°

---

**CITY**

---

**URBAN**

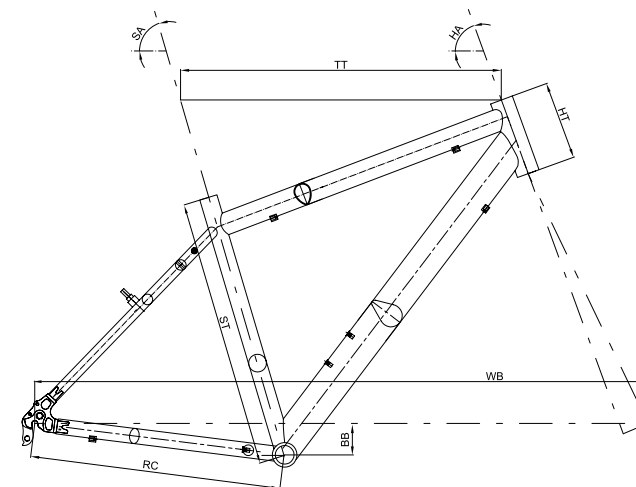
---

○ **28"**



COLOR

<b>CODE</b>	.350420
<b>FRAME</b>	700 alloy 6061
<b>FORK</b>	Zoom 700 730P AMS Tr.50mm
<b>SHIFTERS</b>	Shimano EF500 8S
<b>BRAKES</b>	Alloy V-Brake
<b>REAR DERAILLEUR</b>	Shimano Altus M310 8s
<b>FRONT DERAILLEUR</b>	Shimano TX51
<b>CASSETTE</b>	Shimano HG200 8s 12/32T
<b>CHAIN</b>	KMC Z50
<b>CRANKSET</b>	Alloy MY-AD04, 28/38/48T, 170mm
<b>TYRES</b>	700X38C Wanda
<b>SADDLE</b>	Conor City confort
<b>SEAT POST</b>	Alloy 27,2x300mm
<b>HANDLEBAR</b>	Zoom alloy 153BT 600mm rise 30mm 6°
<b>STEM</b>	Zoom alloy adjustable C331-5 25,4x90mm
<b>HEADSET</b>	A head 1 1/8
<b>FRONT HUB</b>	Alloy KT-A15F 36h
<b>REAR HUB</b>	Alloy KT-AYER 8s 36h
<b>RIM</b>	Alloy double wall
<b>SIZES</b>	WM, WL



	LA	XL
<b>ST (mm)</b>	457	480
<b>TT (mm)</b>	575	575
<b>HT (mm)</b>	140	140
<b>RC (mm)</b>	450	450
<b>BB (mm)</b>	56	56
<b>WB (mm)</b>	1095,2	1095,2
<b>REACH (mm)</b>		
<b>STACK (mm)</b>		
<b>Ha (°)</b>	70°	70°
<b>Sa (°)</b>	73,5°	73,5°



---

**CITY W**

---

**URBAN**

---

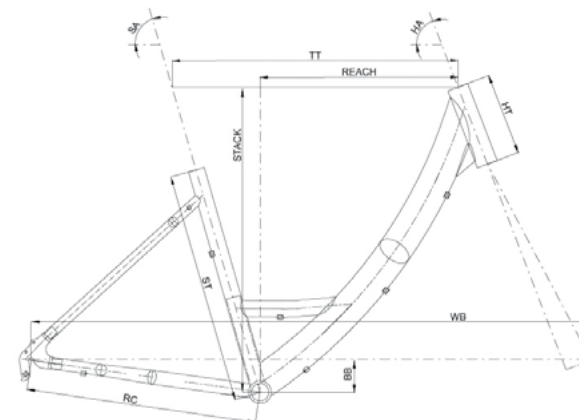
○ **28"**

**CONOR**  
**WRC**  
WORLD RACE CONOR



COLOR

<b>CODE</b>	.350420
<b>FRAME</b>	28" Alloy 6061
<b>FORK</b>	RST NEON V-brake, TR: 50mm
<b>SHIFTERS</b>	Shimano TX800
<b>BRAKES</b>	Alloy V-Brake
<b>REAR DERAILLEUR</b>	Shimano TX800 8s
<b>FRONT DERAILLEUR</b>	Shimano Tourney
<b>CASSETTE</b>	Sunrace CSM55.8AU 8s 11/32T
<b>CHAIN</b>	KMC Z50
<b>CRANKSET</b>	Shimano TY301 170mm 28/38/48T
<b>TYRES</b>	700X38C Chaoyang
<b>SADDLE</b>	Conor Malibú Confort
<b>SEAT POST</b>	Alloy 27,2x300mm
<b>HANDLEBAR</b>	City Alloy 25,4mm
<b>STEM</b>	City Alloy 25,4mm, adjustable
<b>HEADSET</b>	A head 1 1/8
<b>FRONT HUB</b>	Alloy KT-A15F
<b>REAR HUB</b>	Alloy KT-A1ER 8s
<b>RIM</b>	Alloy double wall
<b>SIZES</b>	LA, XL



	WM	WL
<b>ST (mm)</b>	430	450
<b>TT (mm)</b>	554,7	664,7
<b>HT (mm)</b>	160	160
<b>RC (mm)</b>	450	450
<b>BB (mm)</b>	35	62
<b>WB (mm)</b>	1087,7	1087,7
<b>REACH (mm)</b>		
<b>STACK (mm)</b>		
<b>Ha (°)</b>	69°	69°
<b>Sa (°)</b>	47°	74°

---

# MALIBU W

---

# URBAN

---

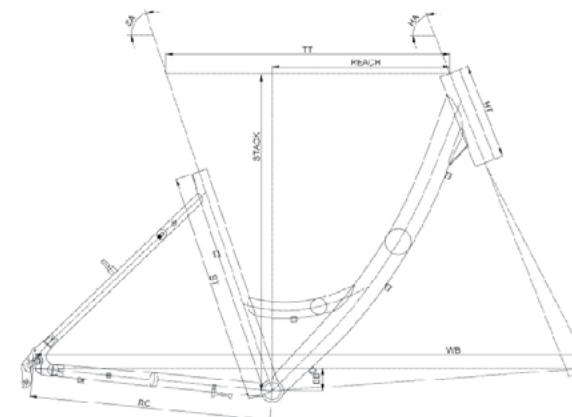
○ 26"

**CONOR**  
**WRC**  
WORLD RACE CONOR



COLOR

<b>CODE</b>	.250437
<b>FRAME</b>	26" Alloy 6061
<b>FORK</b>	Suntour SF15 CR-8V
<b>SHIFTERS</b>	Shimano Revoshift RS36 7s
<b>BRAKES</b>	Alloy V-Brake
<b>REAR DERAILLEUR</b>	Shimano TY300 7s
<b>FRONT DERAILLEUR</b>	Shimano TX51
<b>CASSETTE</b>	Shimano TZ500 7s 14/28T
<b>CHAIN</b>	KMC Z50
<b>CRANKSET</b>	Shimano TY501 170mm 28/38/48T
<b>TYRES</b>	26"X1,95 Kenda K935
<b>SADDLE</b>	Conor Malibú Confort
<b>SEAT POST</b>	Alloy 27,2x300mm
<b>HANDLEBAR</b>	Malibú Alloy 25,4mm
<b>STEM</b>	Malibú Alloy 25,4mm, adjustable
<b>HEADSET</b>	A head 1 1/8
<b>FRONT HUB</b>	Alloy KT-A15F
<b>REAR HUB</b>	Alloy KT-A12R
<b>RIM</b>	Alloy double wall
<b>SIZES</b>	WS, WM



	WS	WM
<b>ST (mm)</b>	406	457
<b>TT (mm)</b>	561	561
<b>HT (mm)</b>	190	190
<b>RC (mm)</b>	475	475
<b>BB (mm)</b>	45	45
<b>WB (mm)</b>	1101	1101
<b>REACH (mm)</b>	351	351
<b>STACK (mm)</b>	627	627
<b>Ha (°)</b>	68,5°	68,5°
<b>Sa (°)</b>	71,5°	71,5°



---

# MALIBU W

---

# URBAN

---

○ 26"

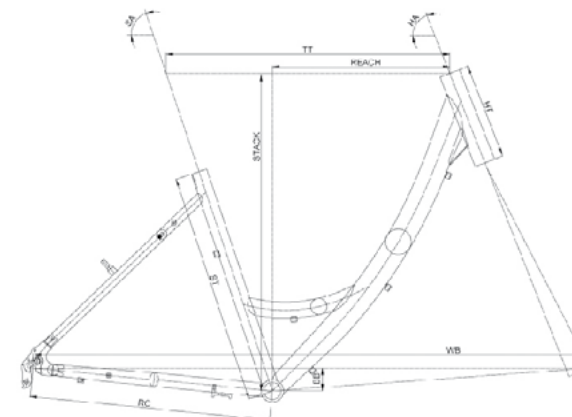
**CONOR**  
**WRC**  
WORLD RACE CONOR



COLOR



<b>CODE</b>	.350437
<b>FRAME</b>	26" Alloy 6061
<b>FORK</b>	Zoom 141 26" ML/O Tr.45mm
<b>SHIFTERS</b>	Shimano Revoshift RS36 7s
<b>BRAKES</b>	Alloy V-Brake
<b>REAR DERAILLEUR</b>	Shimano TY300 7S
<b>FRONT DERAILLEUR</b>	Shimano TX51
<b>CASSETTE</b>	Shimano TZ500 7s 14/28T
<b>CHAIN</b>	KMC Z50
<b>CRANKSET</b>	Alloy TA-CQ68, 24/34/42, 170mm
<b>TYRES</b>	26"X1,95 Kenda K935 A.V.
<b>SADDLE</b>	Conor Malibu confort
<b>SEAT POST</b>	Alloy SP001 27.2X300mm
<b>HANDLEBAR</b>	Zoom alloy 153BT 600mm rise 30mm 6°
<b>STEM</b>	Zoom alloy adjustable C331-5 25,4x90mm
<b>HEADSET</b>	A-head 1 1/8"
<b>FRONT HUB</b>	Alloy KT-A15F 36H
<b>REAR HUB</b>	Alloy KT-A12R 36H
<b>RIM</b>	Alloy double wall
<b>SIZES</b>	WS, WM



	WS	WM
<b>ST (mm)</b>	406	457
<b>TT (mm)</b>	561	561
<b>HT (mm)</b>	190	190
<b>RC (mm)</b>	475	475
<b>BB (mm)</b>	45	45
<b>WB (mm)</b>	1101	1101
<b>REACH (mm)</b>	351	351
<b>STACK (mm)</b>	627	627
<b>Ha (°)</b>	68,5°	68,5°
<b>Sa (°)</b>	71,5°	71,5°

---

# SOHO

---

# URBAN

---

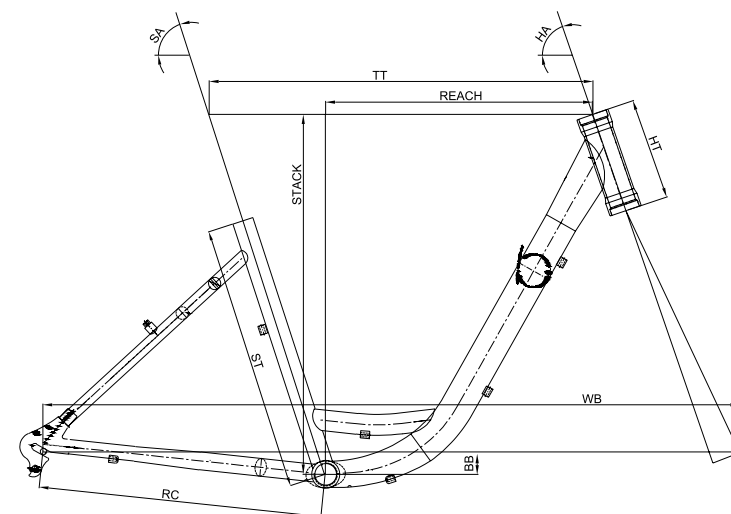
○ 26"

**CONOR**  
**WRC**  
WORLD RACE CONOR



COLOR

<b>CODE</b>	.350439E
<b>FRAME</b>	26" Alloy 6061
<b>FORK</b>	Rigid fork
<b>SHIFTERS</b>	Shimano Revoshift RS36 6s
<b>BRAKES</b>	Alloy V-Brake
<b>REAR DERAILLEUR</b>	Shimano TY300 6/7s
<b>CASSETTE</b>	Shimano TZ500 6s 14/28T
<b>CHAIN</b>	YBN S50 6s
<b>CRANKSET</b>	Steel 170mm 42T
<b>TYRES</b>	26X1,75 Wanda
<b>SADDLE</b>	Conor Soho Confort
<b>SEAT POST</b>	Conor Alloy 27,2x350mm
<b>HANDLEBAR</b>	Steel Conor 25,4mm
<b>STEM</b>	Steel Conor 25,4mm
<b>HEADSET</b>	A-head
<b>SIZES</b>	WM
<b>FRONT HUB</b>	Alloy 32F
<b>REAR HUB</b>	Alloy 32F
<b>RIM</b>	Alloy Double wall



<b>ST (mm)</b>	406
<b>TT (mm)</b>	582.8
<b>HT (mm)</b>	155
<b>RC (mm)</b>	435
<b>BB (mm)</b>	35
<b>WB (mm)</b>	1057.6
<b>Ha (°)</b>	71°
<b>Sa (°)</b>	72°



---

**DENVER**

---

**URBAN**

---

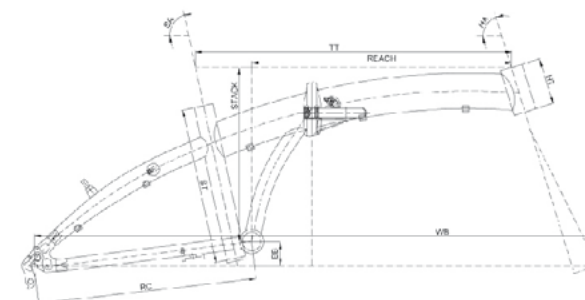
○ **20"**

**CONOR**  
**WRC**  
WORLD RACE CONOR



COLOR

<b>CODE</b>	.250350
<b>FRAME</b>	20" Alloy 6061, folding w/magnet
<b>FORK</b>	Rigid fork w/magnet
<b>SHIFTERS</b>	Shimano Revoshift RS36 6s
<b>BRAKES</b>	V-Brake alloy
<b>REAR DERAILLEUR</b>	Shimano TY200 6s
<b>CASSETTE</b>	Shimano TZ500 6s 14/28T
<b>CHAIN</b>	YBN S52 6s
<b>CRANKSET</b>	Alloy 170mm 48T
<b>TYRES</b>	20"X1,75 Black Swift
<b>SADDLE</b>	Selle Royal Rio
<b>SEAT POST</b>	Alloy 30,6x500mm
<b>HANDLEBAR</b>	Steel 25,4 x 580mm
<b>STEM</b>	Alloy FB-D311RB 25,4mm
<b>HEADSET</b>	Steel 1 1/8
<b>FRONT HUB</b>	Alloy KT-A15F 36h
<b>REAR HUB</b>	Alloy KT-A11R 36h
<b>RIM</b>	Alloy double wall
<b>SIZES</b>	One size
<b>FOLDED DIMENSIONS</b>	860x680x450mm



<b>ST (mm)</b>	285
<b>TT (mm)</b>	578
<b>HT (mm)</b>	85
<b>RC (mm)</b>	400
<b>BB (mm)</b>	45
<b>WB (mm)</b>	1030
<b>REACH (mm)</b>	475
<b>STACK (mm)</b>	318
<b>Ha (°)</b>	73°
<b>Sa (°)</b>	78°





---

# RAVE

---

# FREESTYLE

---

○ 20"

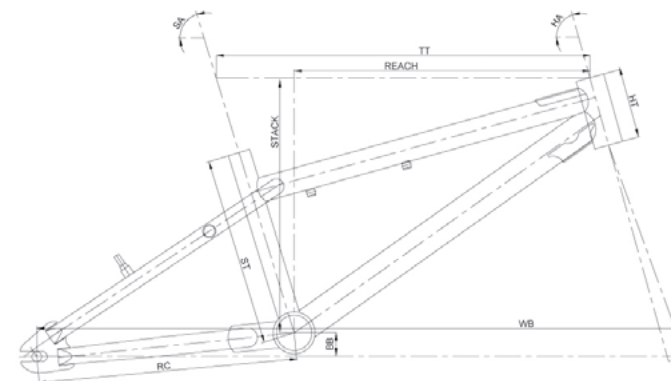
**CONOR**  
**WRC**  
WORLD RACE CONOR



COLOR



<b>CODE</b>	.210310
<b>FRAME</b>	20" Alloy 6061
<b>FORK</b>	BMX rigid fork
<b>BRAKES</b>	V-Brake alloy
<b>CASSETTE</b>	Free 1s 16T
<b>CHAIN</b>	Z410 1s
<b>CRANKSET</b>	Steel 175mm 36T
<b>TYRES</b>	20"X1,95 C-1381 Black
<b>SADDLE</b>	BMX Rave
<b>SEAT POST</b>	Steel SP-005 27,2x300mm
<b>HANDLEBAR</b>	Steel MX-317 620x22.2mm
<b>STEM</b>	Alloy BA-90D Ext.50mm, 22.2mm
<b>HEADSET</b>	VP-A71 1 1/8"
<b>SIZES</b>	One size
<b>FRONT HUB</b>	Steel KT-11T 48h
<b>REAR HUB</b>	Steel KT-11T 48h
<b>RIM</b>	Alloy Conor



<b>ST (mm)</b>	270
<b>TT (mm)</b>	535
<b>HT (mm)</b>	100
<b>RC (mm)</b>	370
<b>BB (mm)</b>	34
<b>WB (mm)</b>	928
<b>REACH (mm)</b>	423
<b>STACK (mm)</b>	368
<b>Ha (°)</b>	74,5°
<b>Sa (°)</b>	73°





---

**TEAM 24"**

---

**JUNIOR**

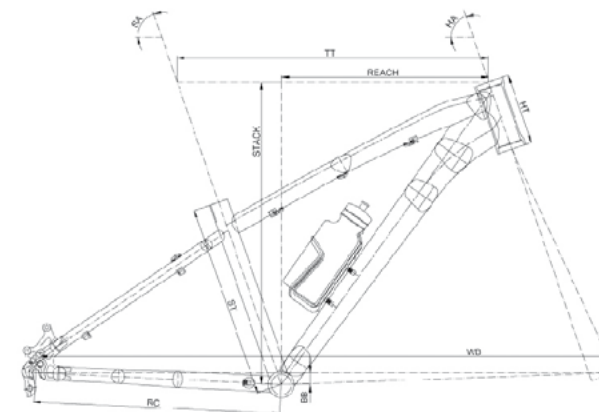
---

○ **24"**



COLOR

<b>CODE</b>	.270409
<b>FRAME</b>	24" Alloy 6061
<b>FORK</b>	Suntour SF16 XCR LO Tr.63mm
<b>SHIFTERS</b>	Shimano M315-8R 8s
<b>BRAKES</b>	Shimano disc MT200
<b>REAR DERAILLEUR</b>	Shimano TX800 8s
<b>CASSETTE</b>	Shimano HG31 11/30T
<b>CHAIN</b>	YBN S52 8s
<b>CRANKSET</b>	Steel 152mm 28T
<b>TYRES</b>	24"X2,35 CRAZY BOB
<b>SADDLE</b>	WRC Junior
<b>SEAT POST</b>	Alloy SP-243 27.2x300mm
<b>HANDLEBAR</b>	Steel 600X31.8mm
<b>STEM</b>	Alloy Ext.75mm 31.8mm
<b>HEADSET</b>	A-head semi integrated
<b>SIZES</b>	One size
<b>FRONT HUB</b>	Shimano TX505 32h
<b>REAR HUB</b>	Shimano AFHMT200 8s 32h
<b>RIM</b>	Alloy double wall



<b>ST (mm)</b>	325
<b>TT (mm)</b>	525
<b>HT (mm)</b>	120
<b>RC (mm)</b>	415
<b>BB (mm)</b>	20
<b>WB (mm)</b>	978
<b>REACH (mm)</b>	350
<b>STACK (mm)</b>	510
<b>Ha (°)</b>	71°
<b>Sa (°)</b>	71°



---

**PRO 24"**

---

**JUNIOR**

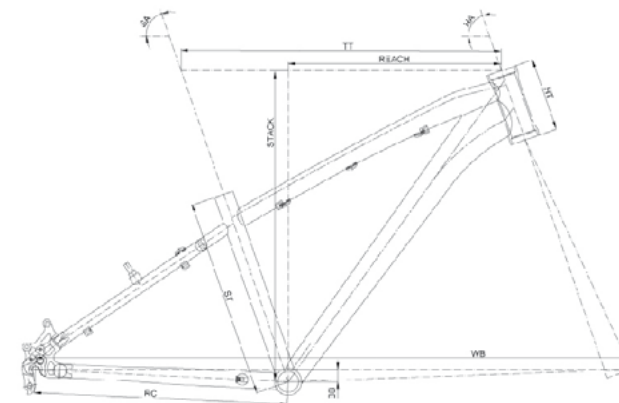
---

○ **24"**



COLOR

<b>CODE</b>	.370410
<b>FRAME</b>	24" Alloy 6061
<b>FORK</b>	Suntour SF16 XCT Tr.50mm
<b>SHIFTERS</b>	Shimano M315-8R, 8S
<b>BRAKES</b>	Shimano disc MT200
<b>REAR DERAILLEUR</b>	Shimano TX800 8s
<b>CASSETTE</b>	Shimano HG31 11/30T
<b>CHAIN</b>	YBN S52 8s
<b>CRANKSET</b>	Steel 152mm 36T
<b>TYRES</b>	24"x2.10 Victory Black
<b>SADDLE</b>	WRC Junior
<b>SEAT POST</b>	Alloy 27,2x300mm
<b>HANDLEBAR</b>	Steel 600X31.8mm
<b>STEM</b>	Alloy Ext.75mm, 31.8mm
<b>HEADSET</b>	A-head semi integrated
<b>SIZES</b>	One size
<b>FRONT HUB</b>	Alloy K68 32h
<b>REAR HUB</b>	Alloy K68 32h
<b>RIM</b>	Alloy double wall



<b>ST (mm)</b>	325
<b>TT (mm)</b>	525
<b>HT (mm)</b>	120
<b>RC (mm)</b>	415
<b>BB (mm)</b>	20
<b>WB (mm)</b>	977
<b>REACH (mm)</b>	350
<b>STACK (mm)</b>	510
<b>Ha (°)</b>	71°
<b>Sa (°)</b>	71°

---

**340**

---

**JUNIOR**

---

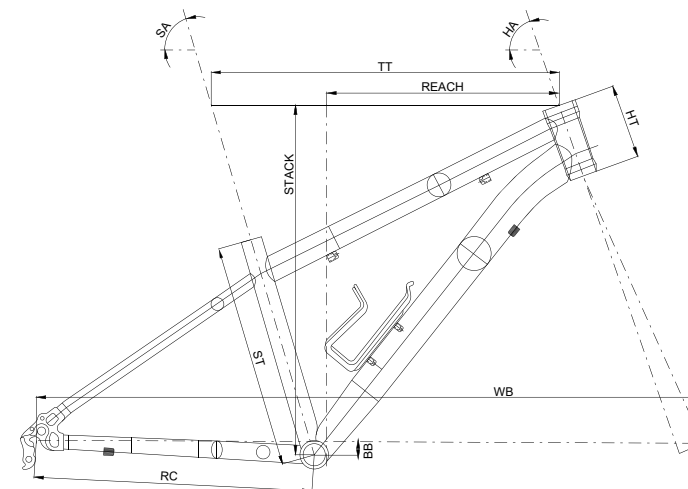
○ **24"**

**CONOR**  
**WRC**  
WORLD RACE CONOR



COLOR

<b>CODE</b>	.370415E
<b>FRAME</b>	24" Alloy 6061
<b>FORK</b>	MTB Raceline 935
<b>SHIFTERS</b>	Shimano EF50 21s
<b>BRAKES</b>	V-Brake Infantil
<b>REAR DERAILLEUR</b>	Shimano TY300 7s
<b>CASSETTE</b>	Shimano TZ500 7s 14/28T
<b>CHAIN</b>	YBN S50 7s
<b>CRANKSET</b>	Steel 170mm 24/34/42T
<b>TYRES</b>	24"X1,95 Wanda
<b>SADDLE</b>	Conor junior
<b>SEAT POST</b>	Conor Alloy 27,2x350mm
<b>HANDLEBAR</b>	Conor Steel junior 25,4mm
<b>STEM</b>	Conor Steel junior 25,4mm
<b>HEADSET</b>	A-head
<b>SIZES</b>	One size
<b>FRONT HUB</b>	Alloy 32F
<b>REAR HUB</b>	Alloy 32F
<b>RIM</b>	Alloy Double wall



<b>ST (mm)</b>	330
<b>TT (mm)</b>	511,5
<b>HT (mm)</b>	120
<b>RC (mm)</b>	410
<b>BB (mm)</b>	20
<b>WB (mm)</b>	984,2
<b>REACH (mm)</b>	
<b>STACK (mm)</b>	
<b>Ha (°)</b>	70,5°
<b>Sa (°)</b>	73,5°







---

# SPUTNIK

---

## KIDS

---

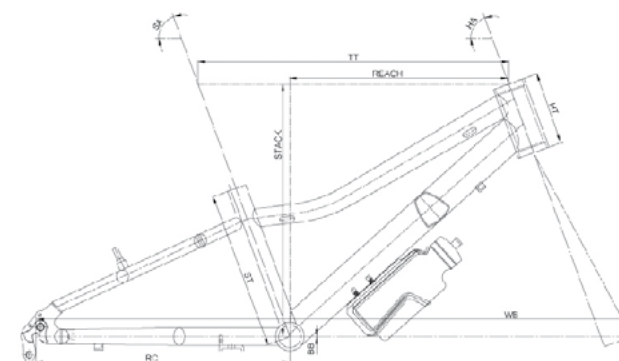
○ 20"

**CONOR**  
**WRC**  
WORLD RACE CONOR



COLOR

<b>CODE</b>	.290413
<b>FRAME</b>	20" Alloy 6061
<b>FORK</b>	Rigid Steel fork
<b>SHIFTERS</b>	Shimano Revoshift RV400-6R 6s
<b>BRAKES</b>	V-Brake kid
<b>REAR DERAILLEUR</b>	Shimano TY200 6s
<b>CASSETTE</b>	Shimano MF-TZ50 6s 14/28T
<b>CHAIN</b>	YBN S50
<b>CRANKSET</b>	Steel W/ Double Protector 36T 140mm
<b>TYRES</b>	Kid 20x2,125
<b>SADDLE</b>	WRC Kid
<b>SEAT POST</b>	WRC Steel 27,2x200mm
<b>HANDLEBAR</b>	WRC Kid Steel
<b>STEM</b>	WRC Kid Alloy
<b>HEADSET</b>	Steel semi integrated
<b>FRONT HUB</b>	Kid
<b>REAR HUB</b>	Kid 6s
<b>RIM</b>	WRC alloy
<b>SIZES</b>	One size



<b>ST (mm)</b>	242
<b>TT (mm)</b>	477
<b>HT (mm)</b>	112
<b>RC (mm)</b>	390
<b>BB (mm)</b>	0
<b>WB (mm)</b>	915
<b>REACH (mm)</b>	336
<b>STACK (mm)</b>	388
<b>Ha (°)</b>	70°
<b>Sa (°)</b>	70°

---

# INVADER

---

# KIDS

---

○ 20"

**CONOR**  
**WRC**  
WORLD RACE CONOR

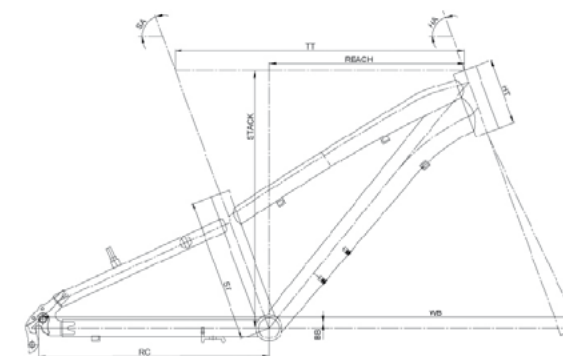


COLOR





<b>CODE</b>	.390410
<b>FRAME</b>	20" Alloy 6061 T6 Slooping
<b>FORK</b>	Suspension fork MS-124
<b>SHIFTERS</b>	Shimano Revoshift RS36 6s
<b>BRAKES</b>	V-Brake kid
<b>REAR DERAILLEUR</b>	Shimano Tourney TY21-B 6s
<b>CASSETTE</b>	Shimano TZ500 6s 14/28T
<b>CHAIN</b>	YBN S50
<b>CRANKSET</b>	Steel w/double protector 40T 140mm
<b>TYRES</b>	Kid 20X1,95
<b>SADDLE</b>	WRC Kid
<b>SEAT POST</b>	WRC Steel 27,2x250mm
<b>HANDLEBAR</b>	WRC Kid Steel
<b>STEM</b>	WRC Kid Steel
<b>HEADSET</b>	Steel semi integrated
<b>FRONT HUB</b>	Kid
<b>REAR HUB</b>	Kid 6s
<b>RIM</b>	WRC alloy
<b>SIZES</b>	One size



<b>ST (mm)</b>	242
<b>TT (mm)</b>	490
<b>HT (mm)</b>	112
<b>RC (mm)</b>	390
<b>BB (mm)</b>	0
<b>WB (mm)</b>	915
<b>REACH (mm)</b>	331
<b>STACK (mm)</b>	436
<b>Ha (°)</b>	70°
<b>Sa (°)</b>	70°

---

# DISCOVERY

---

## KIDS

---

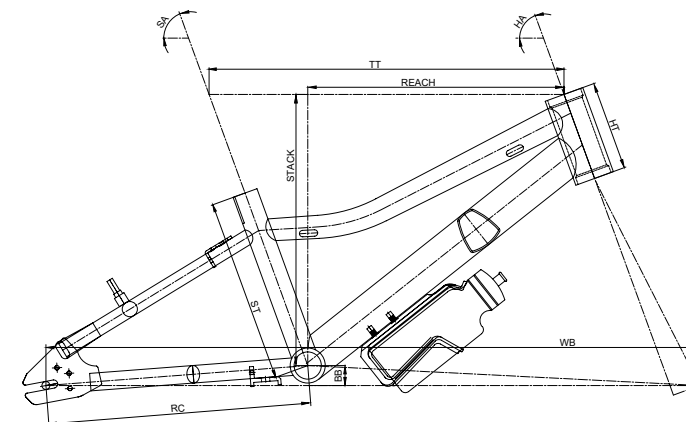
### 18"

**CONOR**  
**WRC**  
WORLD RACE CONOR



COLOR

<b>CODE</b>	.290433
<b>FRAME</b>	18" Alloy 6061
<b>FORK</b>	Rigid Steel fork
<b>BRAKES</b>	V-Brake kid
<b>CASSETTE</b>	Free 1s 18T
<b>CHAIN</b>	KMC TC-410
<b>CRANKSET</b>	Steel black 32T 127mm, W/ Protector
<b>TYRES</b>	Kid 18X2,125
<b>SADDLE</b>	WRC Kid
<b>SEAT POST</b>	WRC Kid 27,2x200mm
<b>HANDLEBAR</b>	WRC Kid Steel
<b>STEM</b>	WRC Kid Alloy
<b>HEADSET</b>	Steel semi integrated
<b>FRONT HUB</b>	Kid
<b>REAR HUB</b>	Kid 1s
<b>RIM</b>	WRC alloy
<b>SIZES</b>	One size



<b>ST (mm)</b>	230
<b>TT (mm)</b>	445
<b>HT (mm)</b>	112
<b>RC (mm)</b>	330
<b>BB (mm)</b>	25
<b>WB (mm)</b>	819
<b>REACH (mm)</b>	321
<b>STACK (mm)</b>	340
<b>Ha (°)</b>	70°
<b>Sa (°)</b>	70°

---

# APOLO

---

# KIDS

---

○ 16"

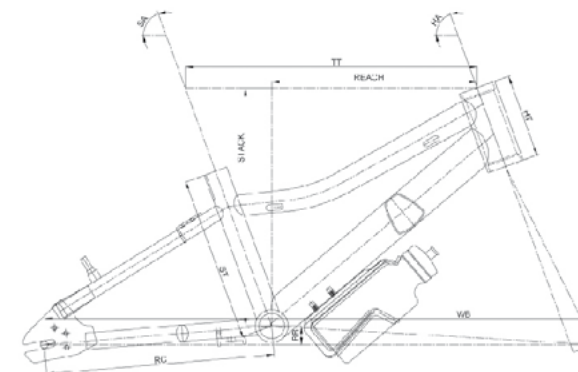
**CONOR**  
**WRC**  
WORLD RACE CONOR



COLOR



<b>CODE</b>	.290435
<b>FRAME</b>	16" Alloy 6061
<b>FORK</b>	Rigid Steel fork
<b>BRAKES</b>	V-Brake kid
<b>CASSETTE</b>	Free 1s 18T
<b>CHAIN</b>	KMC TC-410
<b>CRANKSET</b>	Steel black 32T 127mm, W/ Protector
<b>TYRES</b>	Kid 16X2,125
<b>SADDLE</b>	WRC Kid
<b>SEAT POST</b>	WRC Kid 27,2x200mm
<b>HANDLEBAR</b>	WRC Kid Steel
<b>STEM</b>	WRC Kid Steel
<b>HEADSET</b>	Steel semi integrated
<b>FRONT HUB</b>	Kid
<b>REAR HUB</b>	Kid 1s
<b>RIM</b>	WRC alloy
<b>SIZES</b>	One size



<b>ST (mm)</b>	220
<b>TT (mm)</b>	390
<b>HT (mm)</b>	112
<b>RC (mm)</b>	305
<b>BB (mm)</b>	25
<b>WB (mm)</b>	735
<b>REACH (mm)</b>	274
<b>STACK (mm)</b>	318
<b>Ha (°)</b>	70°
<b>Sa (°)</b>	70°

---

# ORION

---

# KIDS

---

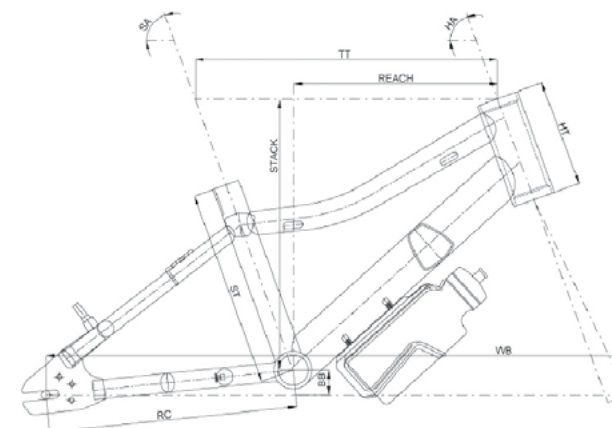
○ 14"

**CONOR**  
**WRC**  
WORLD RACE CONOR



COLOR

<b>CODE</b>	.290446
<b>FRAME</b>	14" Slooping Steel
<b>FORK</b>	Rigid Steel fork
<b>BRAKES</b>	V-Brake kid
<b>CASSETTE</b>	Free 1s 18T
<b>CHAIN</b>	Z410
<b>CRANKSET</b>	Steel black 32T 102mm, W/ Protect
<b>TYRES</b>	Kid 14X2,125
<b>SADDLE</b>	WRC Kid
<b>SEAT POST</b>	WRC Steel 27,2x200mm
<b>HANDLEBAR</b>	WRC Steel matt black
<b>STEM</b>	WRC Steel matt black
<b>HEADSET</b>	Steel semi integrated
<b>FRONT HUB</b>	Kid
<b>REAR HUB</b>	Kid 1s
<b>RIM</b>	WRC alloy
<b>SIZES</b>	One size



<b>ST (mm)</b>	230
<b>TT (mm)</b>	354
<b>HT (mm)</b>	125
<b>RC (mm)</b>	290
<b>BB (mm)</b>	28
<b>WB (mm)</b>	679
<b>REACH (mm)</b>	238
<b>STACK (mm)</b>	316
<b>Ha (°)</b>	70°
<b>Sa (°)</b>	70°

---

# GALAXY

---

# KIDS

---

○ 20"

**CONOR**  
**WRC**  
WORLD RACE CONOR

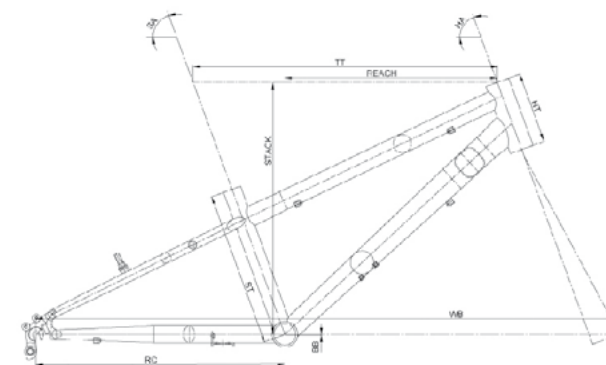


COLOR





<b>CODE</b>	.390417
<b>FRAME</b>	20" Slooping Steel
<b>FORK</b>	Rigid Steel fork
<b>SHIFTERS</b>	Shimano Revoshift RS36 6s
<b>BRAKES</b>	V-Brake kid
<b>REAR DERAILLEUR</b>	Shimano Tourney TY21-B 6s
<b>CASSETTE</b>	Shimano TZ500 6s 14/28T
<b>CHAIN</b>	YBN S50
<b>CRANKSET</b>	Steel w/double protector 40T 140mm
<b>TYRES</b>	Kid 20X1,95
<b>SADDLE</b>	Conor Kid
<b>SEAT POST</b>	Conor Steel 27,2X200mm
<b>HANDLEBAR</b>	Conor Kid Steel
<b>STEM</b>	Conor Kid Steel
<b>HEADSET</b>	Steel semi integrated
<b>FRONT HUB</b>	Kid
<b>REAR HUB</b>	Kid 6s
<b>RIM</b>	Conor alloy
<b>SIZES</b>	One size



<b>ST (mm)</b>	242
<b>TT (mm)</b>	477
<b>HT (mm)</b>	112
<b>RC (mm)</b>	390
<b>BB (mm)</b>	0
<b>WB (mm)</b>	915
<b>REACH (mm)</b>	333
<b>STACK (mm)</b>	395
<b>Ha (°)</b>	70°
<b>Sa (°)</b>	70°

---

# HALEBOP

---

# KIDS

---

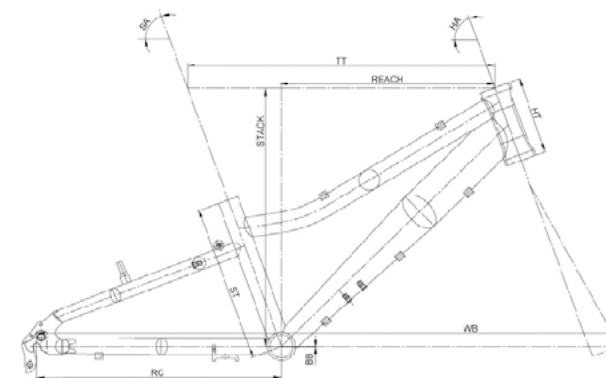
○ 20"

**CONOR**  
**WRC**  
WORLD RACE CONOR



COLOR

<b>CODE</b>	.390420
<b>FRAME</b>	20" Alloy 6061
<b>FORK</b>	Rigid Steel fork
<b>SHIFTERS</b>	Shimano Revoshift RS36 6s
<b>BRAKES</b>	V-Brake kid
<b>REAR DERAILLEUR</b>	Shimano TY21-B 6s
<b>CASSETTE</b>	Shimano TZ500 6s 14/28T
<b>CHAIN</b>	YBN S50
<b>CRANKSET</b>	Steel with double protector 40T 140mm
<b>TYRES</b>	Kid 20X1,75
<b>SADDLE</b>	Conor Kid
<b>SEAT POST</b>	Conor Steel 27,2x250mm
<b>HANDLEBAR</b>	Conor Kid Steel
<b>STEM</b>	Conor Kid Steel
<b>HEADSET</b>	Steel semi integrated
<b>FRONT HUB</b>	Kid
<b>REAR HUB</b>	Kid 6s
<b>RIM</b>	Conor alloy
<b>SIZES</b>	One size



<b>ST (mm)</b>	242
<b>TT (mm)</b>	477
<b>HT (mm)</b>	112
<b>RC (mm)</b>	380
<b>BB (mm)</b>	0
<b>WB (mm)</b>	905
<b>REACH (mm)</b>	331
<b>STACK (mm)</b>	401
<b>Ha (°)</b>	70°
<b>Sa (°)</b>	70°

---

# ROCKET

---

# KIDS

---

○ 18"

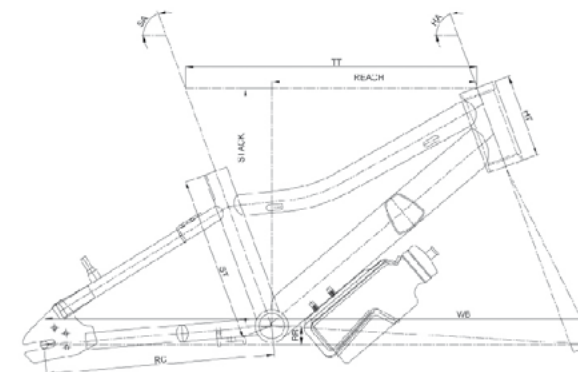


COLOR





<b>CODE</b>	.290430 / .390430
<b>FRAME</b>	18" Slooping Steel
<b>FORK</b>	Rigid Steel fork
<b>BRAKES</b>	V-Brake kid
<b>CASSETTE</b>	Free 1s 18T
<b>CHAIN</b>	KMC TC-410
<b>CRANKSET</b>	Steel with guard 36T 127mm
<b>TYRES</b>	Kid 18X1,95
<b>SADDLE</b>	Conor Kid
<b>SEAT POST</b>	Conor Steel 25,4x200mm
<b>HANDLEBAR</b>	Conor Kid Steel
<b>STEM</b>	Conor Kid Steel
<b>HEADSET</b>	Steel semi integrated
<b>FRONT HUB</b>	Kid
<b>REAR HUB</b>	Kid 1s
<b>RIM</b>	Conor alloy
<b>SIZES</b>	One sizeA



<b>ST (mm)</b>	220
<b>TT (mm)</b>	390
<b>HT (mm)</b>	112
<b>RC (mm)</b>	305
<b>BB (mm)</b>	25
<b>WB (mm)</b>	735
<b>REACH (mm)</b>	274
<b>STACK (mm)</b>	318
<b>Ha (°)</b>	70°
<b>Sa (°)</b>	70°

---

# METEOR

---

# KIDS

---

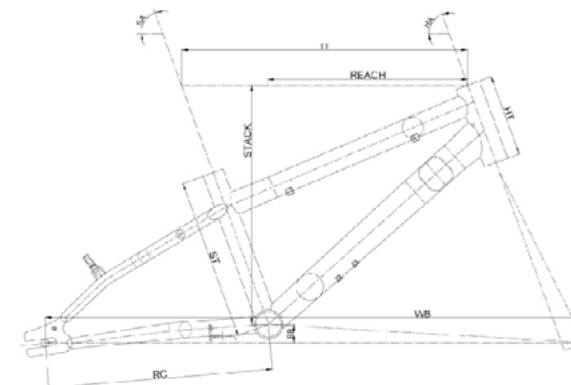
○ 16"

**CONOR**  
**WRC**  
WORLD RACE CONOR

COLOR



<b>CODE</b>	.390440
<b>FRAME</b>	16" Slooping Steel
<b>FORK</b>	Rigid Steel fork
<b>BRAKES</b>	V-Brake kid
<b>CASSETTE</b>	Free 1s 18T
<b>CHAIN</b>	YBN S410
<b>CRANKSET</b>	Steel black 32T 114mm W/ Protector
<b>TYRES</b>	Kid 16X1,95
<b>SADDLE</b>	Conor Kid
<b>SEAT POST</b>	Conor Steel 25,4x200mm
<b>HANDLEBAR</b>	Conor Kid Steel
<b>STEM</b>	Conor Kid Steel
<b>HEADSET</b>	Steel semi integrated
<b>FRONT HUB</b>	Kid
<b>REAR HUB</b>	Kid 1s
<b>RIM</b>	Conor alloy
<b>SIZES</b>	One size



<b>ST (mm)</b>	220
<b>TT (mm)</b>	390
<b>HT (mm)</b>	112
<b>RC (mm)</b>	305
<b>BB (mm)</b>	25
<b>WB (mm)</b>	735
<b>REACH (mm)</b>	272
<b>STACK (mm)</b>	326
<b>Ha (°)</b>	70°
<b>Sa (°)</b>	70°

---

**DOLLY**

---

**KIDS**

---

○ **16"**

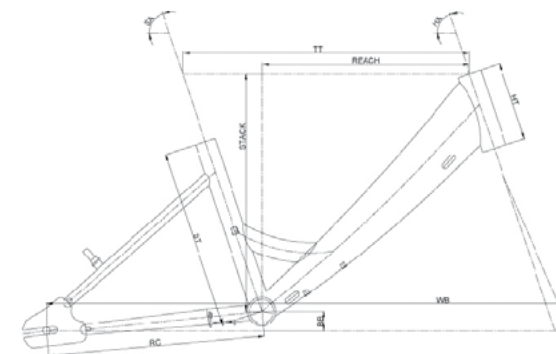
**CONOR**  
**WRC**  
WORLD RACE CONOR



COLOR



<b>CODE</b>	.290439 / .390439
<b>FRAME</b>	16" Slooping Steel
<b>FORK</b>	Rigid Steel fork
<b>BRAKES</b>	V-Brake kid
<b>CASSETTE</b>	Free 1s 18T
<b>CHAIN</b>	KMC TC-410
<b>CRANKSET</b>	Steel black 32T 114mm, W/ Protector
<b>TYRES</b>	Kid 16X1,75
<b>SADDLE</b>	Conor Kid
<b>SEAT POST</b>	Conor Steel 25,4x150mm
<b>HANDLEBAR</b>	Conor Kid Steel
<b>STEM</b>	Conor Kid Steel
<b>HEADSET</b>	Steel semi integrated
<b>FRONT HUB</b>	Kid
<b>REAR HUB</b>	Kid 1s
<b>RIM</b>	Conor alloy
<b>SIZES</b>	One size



<b>ST (mm)</b>	250
<b>TT (mm)</b>	401
<b>HT (mm)</b>	110
<b>RC (mm)</b>	302
<b>BB (mm)</b>	27
<b>WB (mm)</b>	732
<b>REACH (mm)</b>	291
<b>STACK (mm)</b>	332
<b>Ha (°)</b>	72°
<b>Sa (°)</b>	72°

---

# RAY

---

# KIDS

---

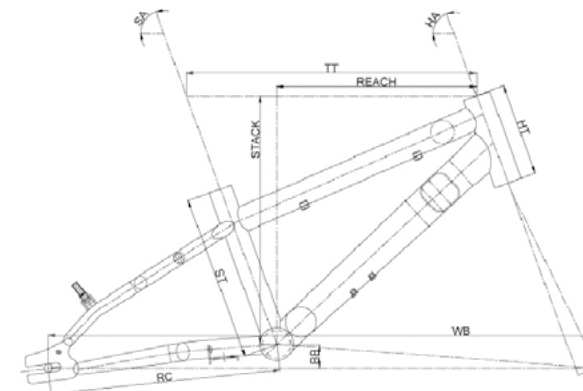
○ 14"



COLOR



<b>CODE</b>	.290445 / 390445
<b>FRAME</b>	14" Slooping Steel
<b>FORK</b>	Rigid Steel fork
<b>BRAKES</b>	V-Brake kid
<b>CASSETTE</b>	Free 1s 16T
<b>CHAIN</b>	YBN S410
<b>CRANKSET</b>	Steel black 28T 114mm, W/ Protector
<b>TYRES</b>	Kid 14X2,125
<b>SADDLE</b>	Conor Kid
<b>SEAT POST</b>	Conor Steel 25,4x200mm
<b>HANDLEBAR</b>	Conor Kid Steel
<b>STEM</b>	Conor Kid Steel
<b>HEADSET</b>	Steel semi integrated
<b>FRONT HUB</b>	Kid
<b>REAR HUB</b>	Kid 1s
<b>RIM</b>	Conor alloy
<b>SIZES</b>	One size



<b>ST (mm)</b>	200
<b>TT (mm)</b>	351
<b>HT (mm)</b>	112
<b>RC (mm)</b>	278
<b>BB (mm)</b>	28
<b>WB (mm)</b>	665
<b>REACH (mm)</b>	242
<b>STACK (mm)</b>	300
<b>Ha (°)</b>	70°
<b>Sa (°)</b>	70°



